

ECLA



An invisible product, a discreet design, a unique light for infinite project solutions: Ecla, is a totally disappearing indoor recessed luminaire made of AirCoral®, installable on plasterboard or brick ceilings.

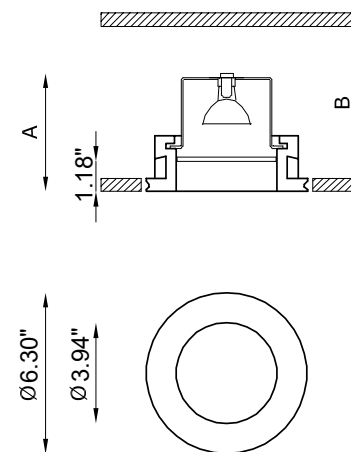
The harmony created by the perfect combination of technology and elegance, is the main feature of Ecla. A unique line, for 3 different lamp types, the answer to any design need.

designplan® 



79 Trenton Avenue
Frenchtown, NJ 08825

www.designplan.com

Tel: (908) 996-7710
Fax: (908) 996-7042



TECHNICAL FEATURES

Code	BU6268.Z.AC.US
Type	Downlight 90° 
Material	AC: AirCoral®
Absorption capacity*	29.27 ft ²
Weight	2.65 lbs
Mounting	Ceiling recessed
IP rating	IP40
Control gear	Constant current electronic driver (not included)
Dimensions	A: 4.72"; B: 5.12"
Cut out for plasterboard	Ø 6.69" LED
Lamp type	500mA 
Lamp wattage	1 x 10W
Luminous efficacy	105 lm/W - 3000K
Light distribution	Wide beam 40°
Light color	White 3000K
Light hole	Ø 3.94"
CRI	>90

* The absorption capacity per ft³ calculated by the American organization TCNA (Tile Council of North America) is measured for an average room of 8.86' in height and therefore expressed in ft²