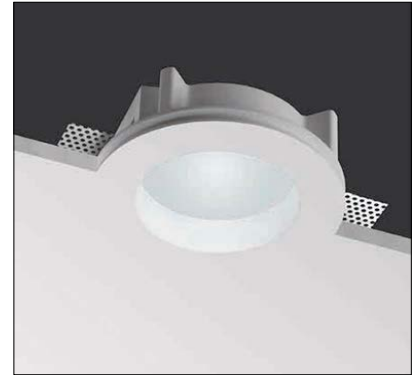


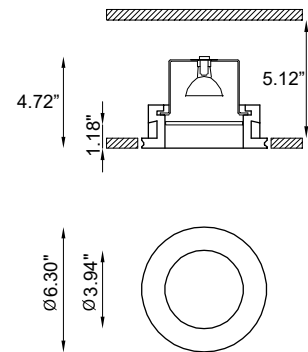
Ecla is a totally disappearing rounded recessed indoor luminaire made of AirCoral® and suitable for installation on plasterboard or brick ceilings. It is available in 3000K standard with a 40° optic.



TECHNICAL DATA

Wattage / Input	10W (500mA)
Power Supply	Remote, not included. See page 2.
Construction	Body: AirCoral® Lens: Frosted Glass
CCT	3000K (2700K, 4000K on request)
CRI	>90
Delivered Lumens	1050 lm (3000K)
Efficacy	105 lm/W
Optics	40°
Finishes	AirCoral® - suitable for painting
LED Source	Professional COB LED
Fixture Dimensions	Ø6.30" x4.72" h
Cut-out Dimension	Ø6.69"
Aperature	Ø3.94"
Fixture Weight	2.65 lbs
IP Rating	IP40

Fixture Dimensions



The body is made of Aircoral® a unique patented composite material that actually purifies the air. It can be calculated how many cubic feet each fixture will purify. See website for Aircoral® calculator.

Additionally, Aircoral® is:

- Antibacterial.
- Antifungal.
- Scratch-resistant.
- Dust-resistant.
- Suitable for painting.
- LEED recognized material.

ORDERING INFORMATION

Example: BU6268.Z.AC.US. Power Supplies ordered separately.

BU6268.Z	AC	US
Model No.	Finish	
BU6268.Z	AC - AirCoral®	US

Job Name/Date:

Fixture Type Designation:

SUGGESTED POWER SUPPLIES

500mA

Part Number	Description	Input/Output	# of Fixtures
PPLT00187	0-10V Dimming to 10%	120-277VAC to 500mA, 10W, Class 2	1-1
PPLT00469	Phase Dim (120V only)	120VAC to 500mA, 14W, Class 2	1-1
PPLT00467-P	0-10V Dimming to 1%	120-277VAC to 500mA, 50W, Class 2	1-2
PPLT00538-P	0-10V Dimming to 0.1%	120-277VAC to 500mA, 100W, Class 2	1-8

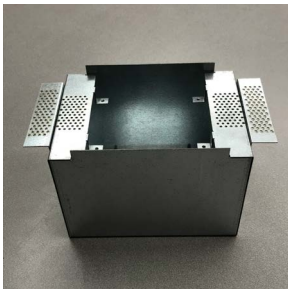
Suggested Lutron Compatible

Part Number	Option	Lutron SKU	Dim Range	Description	Input/Output	# of Fixtures
PPLT00259	L3DAE / L3DA3W	L3DA	100%-1%	Hi-Lume™ 1% EcoSystem™ or 1% 3-Wire LED Driver	120-277VAC to 500mA, 10W, Class 2	1-1
PPLT00195	L3DAE / L3DA3W	L3DA	100%-1%	Hi-Lume™ 1% EcoSystem™ or 1% 3-Wire LED Driver	120-277VAC to 500mA, 19W, Class 2	1-1
PPLT00180	L3DAE / L3DA3W	L3DA	100%-1%	Hi-Lume™ 1% EcoSystem™ or 1% 3-Wire LED Driver	120-277VAC to 500mA, 27W, Class 2	2-2

For other power supply options consult factory.

ACCESSORIES

Installation



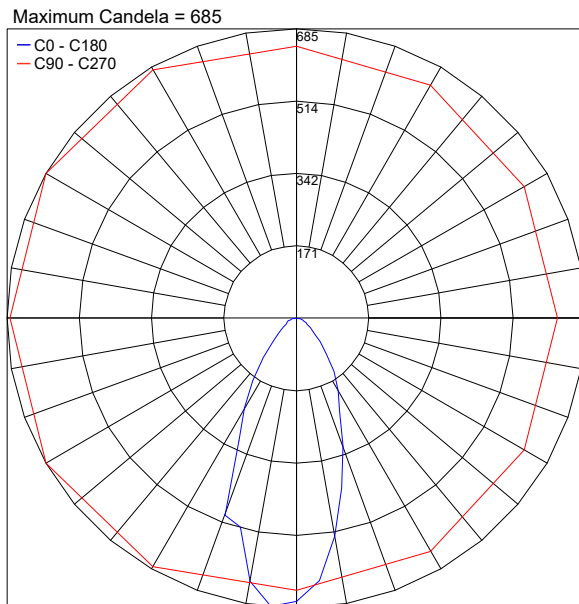
BR6268-LT
IC Rated Back Box

BR6268-LT-C
Chicago Plenum Back Box

BR6268-LT-PC
Concrete Pour Back Box

PHOTOMETRIC DATA

Note all Photometry is 3000K



PHOTOMETRIC FILENAME : ECLA BU6268.Z.AC 10W 3000K.IES

Job Name/Date:

Fixture Type Designation: