

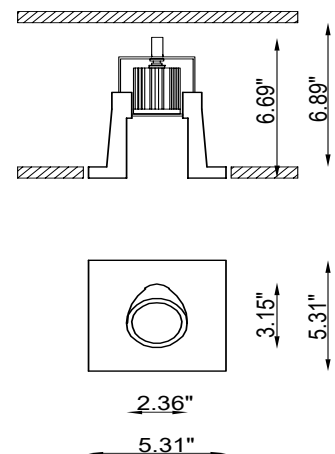
Eggy is a totally disappearing recessed downlight made of AirCoral® with an egg shaped light emission hole. It is suitable for installation on plasterboard or brick ceilings. It is available in 3000K as standard with a 40° inclined light beam. JA8-2016 Certified and can be used in IC, Chicago Plenum, or concrete pour ceilings.



TECHNICAL DATA

Wattage / Input	10W (500mA)
Power Supply	Remote, not included. See page 2.
Construction	Body: AirCoral®
CCT	3000K (2700K, 4000K on request)
CRI	>90
Delivered Lumens	1050 lm
Efficacy	105 lm/W
Optics	40°
Finishes	AirCoral® - suitable for printing
LED Source	COB Professional LED
Fixture Dimensions	5.31" l x 5.31" w x 6.69" h
Cut-out Dimension	5.71" x 5.71"
Aperature	Ovoid 3.15" x 2.36"
Fixture Weight	2.87 lbs
IP Rating	IP40

Fixture Dimensions



The body is made of AirCoral® a unique patented composite material that actually purifies the air. It can be calculated how many cubic feet each fixture will purify. See website for AirCoral® calculator.

Additionally, AirCoral® is:
 Antibacterial.
 Antifungal.
 Scratch-resistant.
 Dust-resistant.
 Suitable for painting.
 LEED recognized material.

ORDERING INFORMATION

Example: BU6498.AC.US. Accessories / Power Supplies ordered separately.

BU6498	AC	US
Model No.	Finish	
BU6498	AC - AirCoral®	US

Job Name/Date:

Fixture Type Designation:

SUGGESTED POWER SUPPLIES

500mA

Part Number	Description	Input/Output	# of Fixtures
PPLT00469	Phase Dim (120V only)	120VAC to 500mA, 14W, Class 2	1-1
PPLT00467-P	0-10V Dimming to 1%	120-277VAC to 500mA, 50W, Class 2	1-2
PPLT00538-P	0-10V Dimming to 0.1%	120-277VAC to 500mA, 100W, Class 2	1-8

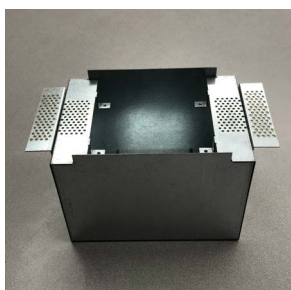
Suggested Lutron Compatible

Part Number	Option	Lutron SKU	Dim Range	Description	Input/Output	# of Fixtures
PPLT00259	L3DAE / L3DA3W	L3DA	100%-1%	Hi-Lume™ 1% EcoSystem™ or 1% 3-Wire LED Driver	120-277VAC to 500mA, 10W, Class 2	1-1
PPLT00195	L3DAE / L3DA3W	L3DA	100%-1%	Hi-Lume™ 1% EcoSystem™ or 1% 3-Wire LED Driver	120-277VAC to 500mA, 19W, Class 2	1-1
PPLT00180	L3DAE / L3DA3W	L3DA	100%-1%	Hi-Lume™ 1% EcoSystem™ or 1% 3-Wire LED Driver	120-277VAC to 500mA, 27W, Class 2	2-2

For other power supply options consult factory.

ACCESSORIES

Installation



BR6498-LT

IC Rated / JA8 Rated
Back Box

BR6498-LT-C

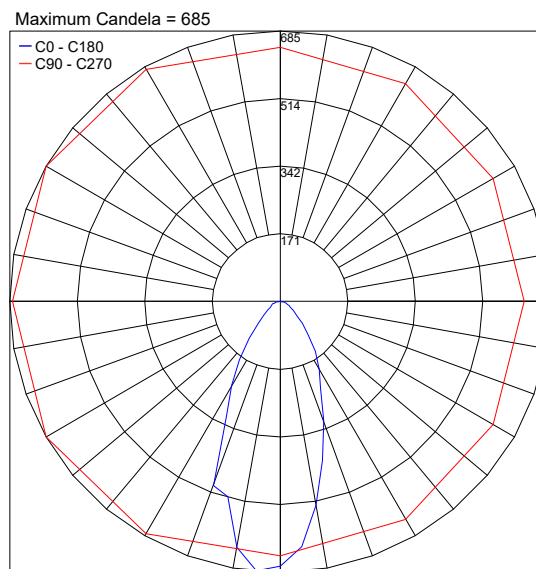
Chicago Plenum Back Box

BR6498-LT-PC

Concrete Pour Back Box

PHOTOMETRIC DATA

Note all Photometry is 3000K



PHOTOMETRIC FILENAME : EGGY BU6498 10W 3000K.IES

Job Name/Date:

Fixture Type Designation: