

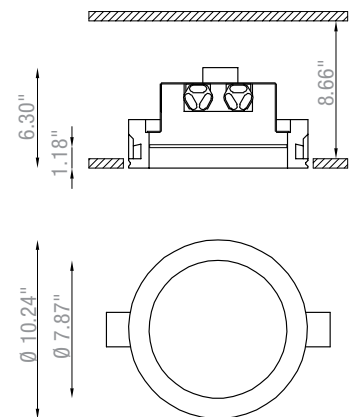
Elios is a rounded recessed fixed or adjustable downlight made of AirCoral®, suitable for installation on plasterboard or brick ceilings. It is available in 2 different wattages and optic options with a 90° or +/- 30° light beam inclination.



TECHNICAL DATA

Wattage / Input	40W (1050mA) 13W (2 x 6.5W - 350mA)
Power Supply	Remote, not included. See page 2.
Construction	Body: AirCoral®
CCT	3000K (2700K, 4000K on request)
CRI	>90
Delivered Lumens	4280 lm (3000K, 40W) 5265 lm (3000K, 2x6.5W)
Efficacy	107 lm/W (40W) 810 lm/W (2x6.5W)
Optics	40° (40W) 120° (2x6.5W)
Finishes	AirCoral® - unfinished
Fixture Dimensions	Ø10.24" x 6.30" h
Cut-out Dimension	Ø10.63"
Aperature	Ø7.87"
Fixture Weight	5.73 lbs
IP Rating	IP40

Fixture Dimensions



The body is made of Aircoral® a unique patented composite material that actually purifies the air. It can be calculated how many cubic feet each fixture will purify. See website for Aircoral® calculator.

Additionally, Aircoral® is:

- Antibacterial.
- Antifungal.
- Scratch-resistant.
- Dust-resistant.
- Suitable for painting.
- LEED recognized material.

ORDERING INFORMATION

Example: BU6381.AC.US. Power Supplies ordered separately.

	AC	US
Model No.	Finish	
BU6381 (40W)	AC - AirCoral®	US
BU6383 (2x6.5W)		

Job Name/Date:

Fixture Type Designation:

SUGGESTED POWER SUPPLIES

1050mA (40W)

Part Number	Description	Input/Output	# of Fixtures
PPLT00190	0-10V Dimming to 10%	120-277VAC to 1050mA, 42W, Class 2	1-1
PPLT00309-P	0-10V Dimming to 1.0%	120-277VAC to 1050mA, 50W, Class 2	1-1
PPLT00467-P	0-10V Dimming to 1.0%	120-277VAC to 1050mA, 50W, Class 2	1-1

350mA (2x6.5W)

Part Number	Description	Input/Output	# of Fixtures
PPLT00468	Phase Dim (120V only)	120VAC to 350mA, 14W, Class 2	1-1
PPLT00465-P	0-10V Dimming to 1.0%	120-277VAC to 350mA, 20W, Class 2	1-1
PPLT00480-P	0-10V Dimming to 1.0%	120-277VAC to 350mA, 30W, Class 2	1-1
PPLT00263	Leading / Trailing-Edge Dimming to 10% (120V only)	120-277VAC to 350mA, 32W, Class 2	1-1
PPLT00467-P	0-10V Dimming to 1.0%	120-277VAC to 350mA, 50W, Class 2	1-1
PPLT00168-P	0-10V Dimming to 1.0%	120-277VAC to 350mA, 50W, Class 2	1-2
PPLT00538-P	0-10V Dimming to 0.1%	120-277VAC to 350mA, 100W, Class 2	1-4

Supported Lutron Compatible (350mA - 2x6.5W)

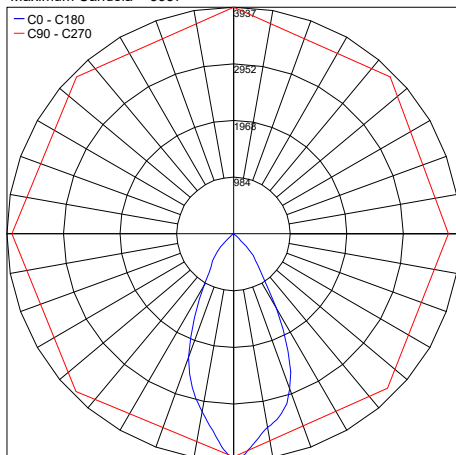
Part Number	Option	Lutron SKU	Dim Range	Description	Input/Output	# of Fixtures
PPLT00516	L3DAE / L3DA3W	L3DA	100%-1%	Hi-Lume™ 1% EcoSystem™ or 1% 3-Wire LED Driver	120-277VAC to 350mA, 13W, Class 2	1-1
PPLT00179	L3DAE / L3DA3W	L3DA	100%-1%	Hi-Lume™ 1% EcoSystem™ or 1% 3-Wire LED Driver	120-277VAC to 350mA, 19W, Class 2	1-1

For other power supply options consult factory.

PHOTOMETRIC DATA

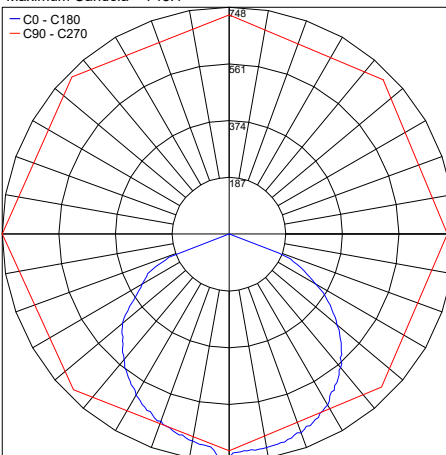
Note all Photometry is 3000K

Maximum Candela = 3937



PHOTOMETRIC FILENAME : BU6381.AC.IES

Maximum Candela = 748.1



PHOTOMETRIC FILENAME : BU6383.AC.IES

Job Name/Date:

Fixture Type Designation: