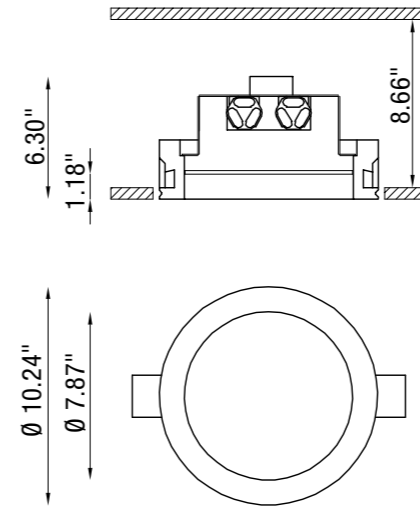




ELIOS



An evocative name, a circular design that fits in the space it is installed in, enveloping rooms in bright light. Elios is a totally disappearing indoor recessed luminaire made of AirCoral[®], installable on plasterboard or brick ceilings. Its purity of shapes is an expression of absolute elegance, the quality of its materials guarantees long duration and resistance, for a pure light and a unique style. Elios: a light that illuminates and purifies, naturally exalting every space.



TECHNICAL FEATURES

	BU6381.AC	BU6383.AC
Code	BU6381.AC	BU6383.AC
Type	Downlight 90° 	Downlight 90° 
Material	AC: AirCoral [®]	AC: AirCoral [®]
Absorption capacity*	17.32 ft²	17.32 ft²
Weight	5.73 lbs	5.73 lbs
Mounting	Ceiling recessed	Ceiling recessed
IP rating	IP40	IP40
Control gear	Constant current electronic driver	Dimmable constant current driver
Cut out for plasterboard	Ø 10.63"	Ø 10.63"
Lamp type	LED 1050mA 	LED 350mA 
Lamp wattage	1 x 40W	2 x 6.5W
Luminous efficacy	107 lm/W - 3000K	2 x 810 lm - 3000K
Light distribution	Wide beam 40°	Wide beam 120°
Light colour	White 3000K White 2700K 4000K (on request)	White 3000K White 2700K 4000K (on request)
Light hole	Ø 7.87"	Ø 7.87"
CRI	>90	>90
Note	Extra white satin glass. Frosted glass recessed 1.18" into the ceiling.	Extra white satin glass. Frosted glass recessed 1.18" into the ceiling. Trailing-edge and leading-edge dimming (20 - 100%).



79 Trenton Avenue
Frenchtown, NJ 08825

www.designplan.com

Tel: (908) 996-7710
Fax: (908) 996-7042

* The absorption capacity per ft³ calculated by the American organization TCNA (Tile Council of North America) is measured for an average room of 8.86 ft in height and therefore expressed in ft²