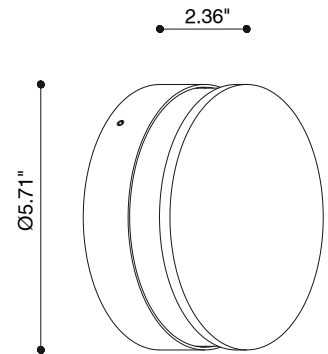


Eloise is a surface mounted, IP65 rated luminaire for installation on walls and ceilings. It is available with white or black reflectors with a 360° radial light emission. It is available in 2 color temperatures and 5 standard finishes.



ADA Compliant

Fixture Dimensions



TECHNICAL DATA

Wattage	13W (120-277VAC)
Power Supply	Integral 0-10V Dimming
Construction	Body: Die-Cast Aluminum Lens: Polycarbonate Paint: Polyester Powder Coat with Protective Anti-Corrosion Treatment
CCT	2700K, 3000K, 4000K
CRI	>80
BUG Rating	B1-U3-G1 (3000K, White Reflector) B0-U2-G1 (3000K, Black Reflector)
Delivered Lumens	901 lm (3000K, White Reflector) 438 lm (3000K, Black Reflector)
Efficacy	69.3 lm/W (3000K, White Reflector) 33.7 lm/W (3000K, Black Reflector)
Optics	360°
LED Source	Mid Power LED
Finishes	White, Sand, Graphite, Aluminum, Corten
Fixture Dimensions	Ø5.71" x 2.36"
IP Rating	IP65
Impact Resistance	IK07

ORDERING INFORMATION

Example: D901412013.US. Remote power supply sold separately - see page 2.

D9014				US
Model No.	CCT	Reflector Finish	Finish	
D9014	31 - 2700K 11 - 3000K 21 - 4000K	00 - White Reflector 01 - Black Reflector	2 - White 3 - Sand 4 - Graphite 5 - Aluminum 8 - Corten	US

Job Name/Date:

Fixture Type Designation:

FINISHES



white



sand



graphite



aluminum

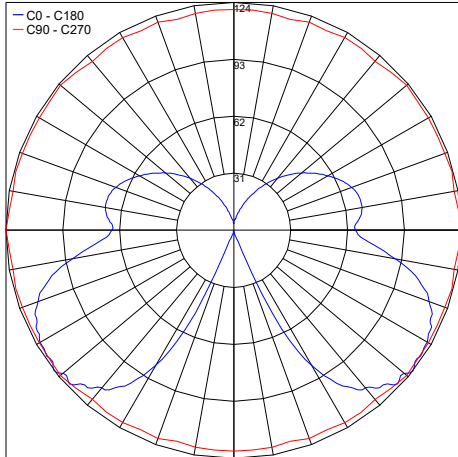


corten

PHOTOMETRIC DATA

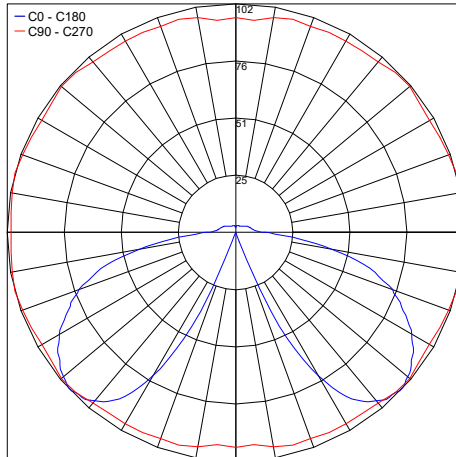
Note: All photometry is 3000K

Maximum Candela = 124.2



PHOTOMETRIC FILENAME : ELOISE_WHITE REFLECTOR_3000K.IES

Maximum Candela = 101.8



PHOTOMETRIC FILENAME : ELOISE_BLACK REFLECTOR_3000K.IES

Job Name/Date:

Fixture Type Designation: