

End is an indoor, semi-recessed, continuous line, indirect lighting system made of AirCoral® for installation on walls and ceilings. The overlapping of light source avoids any kind of shadow cone. It is available in 3000K as standard with a 120° light beam.



Fixture Dimensions & Parts
See page 2

TECHNICAL DATA

Wattage / Input	28W (24VDC)
Power Supply	Remote, not included. See page 2.
Construction	Body: AirCoral® Lens: Frosted Polycarbonate
CCT	3000K (2700K on request)
CRI	>90
Initial Lumens	2800 lm (3000K)
Efficacy	100 lm/W
Optics	120° Diffused
Finishes	AirCoral® Unfinished Plaster
Fixture Dimensions	46.46" l x 5.71" w x 4.53" h
Cut-out Dimension	46.46" for each module installed
Fixture Weight	13.23 lbs
IP Rating	IP40

The body is made of Aircoral® a unique patented composite material that actually purifies the air. It can be calculated how many cubic feet each fixture will purify. See website for Aircoral® calculator.

Additionally, Aircoral® is:

- Antibacterial.
- Antifungal.
- Scratch-resistant.
- Dust-resistant.
- Suitable for painting.
- LEED recognized material.

ORDERING INFORMATION

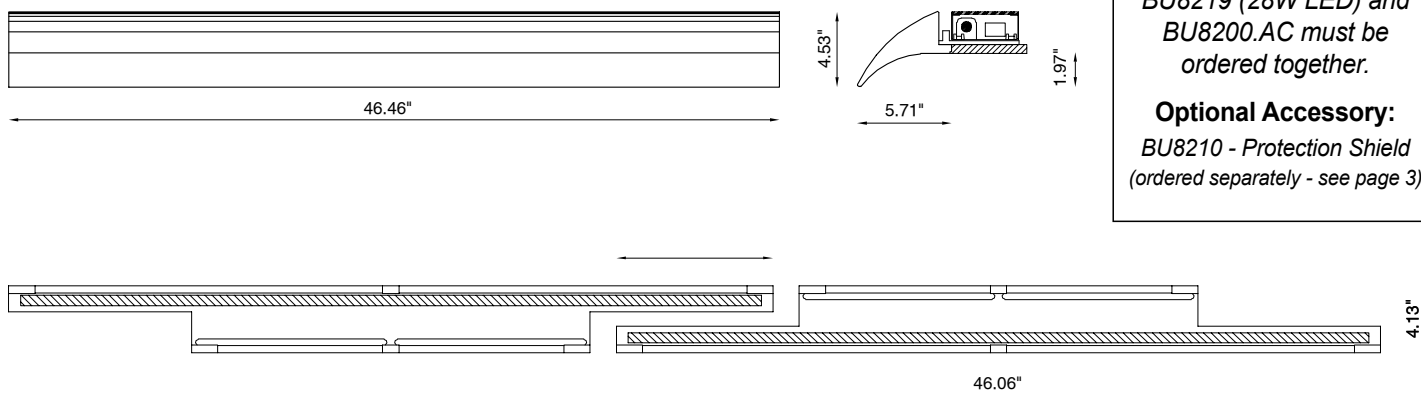
Example: BU8200.AC.30.US + BU8219. Accessories Required / Power Supplies ordered separately.

		US
Model No.	CCT	
BU8200.AC + BU8219 (Ceiling/Wall Body Frame + Light Source)	30 - 3000K (standard) 27 - 2700K (on request)	US

Job Name/Date:

Fixture Type Designation:

FIXTURE DIMENSIONS



ATTENTION
 BU8219 (28W LED) and BU8200.AC must be ordered together.
Optional Accessory:
 BU8210 - Protection Shield (ordered separately - see page 3)

SUGGESTED POWER SUPPLIES

24VDC

Part Number	Description	Input/Output	# of Fixtures
PPLT00284	Non-Dim	120-277VAC to 24VDC, 100W, Class 2, DAMP	1-2
PPLT00543	0-10V Dimming to 15% (-40°C / 40°F cold weather start)	120-277VAC to 24VDC, 100W, Class 2	1-2

DRIVERS IN NEMA ENCLOSURE

Remote 24VDC - ELV / TRIAC / 0-10V



PPLT00715

Part Number	Description	Input/Output	# of Fixtures 28W
PPLT00715	ELV / TRIAC / 0-10V Dimming to 0.1%	120-277VAC to 24VDC, 96W, Class 2, WET/DAMP	1-2

For other power supply options consult factory.

Job Name/Date:

Fixture Type Designation:

EXAMPLE OF INSTALLATION

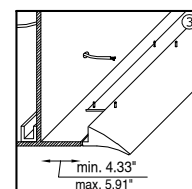
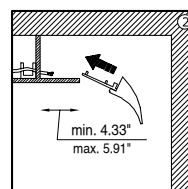
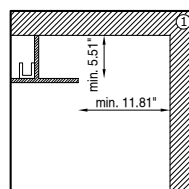
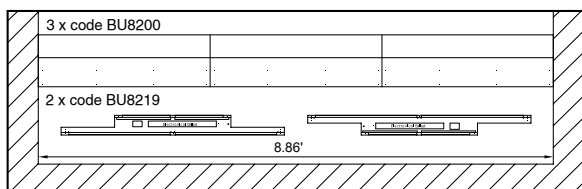
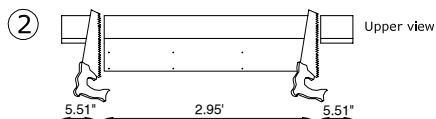
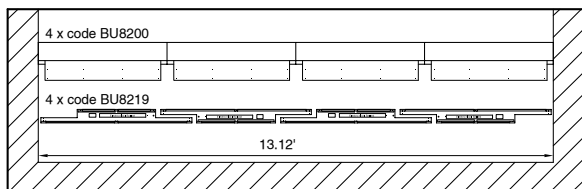
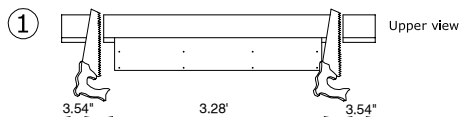
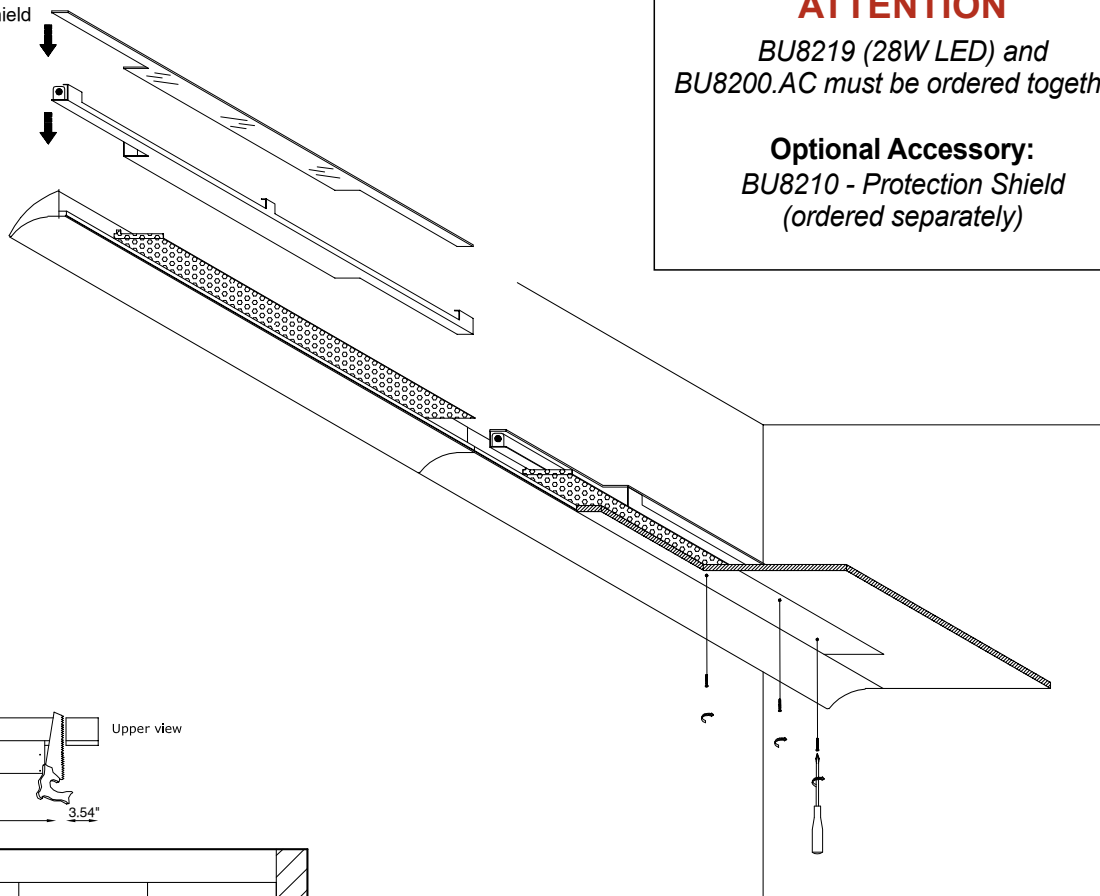
Optional - Protection Shield
Code BU8210

Code BU8219 (28W)

Code BU8200.AC

ATTENTION
BU8219 (28W LED) and BU8200.AC must be ordered together.

Optional Accessory:
BU8210 - Protection Shield (ordered separately)



Job Name/Date:

Fixture Type Designation: