

Design  
Mammini+Candido

# END



## SEMI-RECESSED CONTINUOUS AND INDIRECT LIGHT SYSTEM.

Cuts of light that exalt surfaces, creating precise paths inside spaces: light becomes a protagonist thanks to End, a continuous line modular system for indoor spaces made of AirCoral<sup>®</sup>, installable on walls or on plasterboard ceilings. The particular overlapping of light sources avoids any kind of shadow cone, for a pure and incredibly scenographic wall-washer lighting effect. Light becomes emotion, a delicate decorative element for the most refined environments.

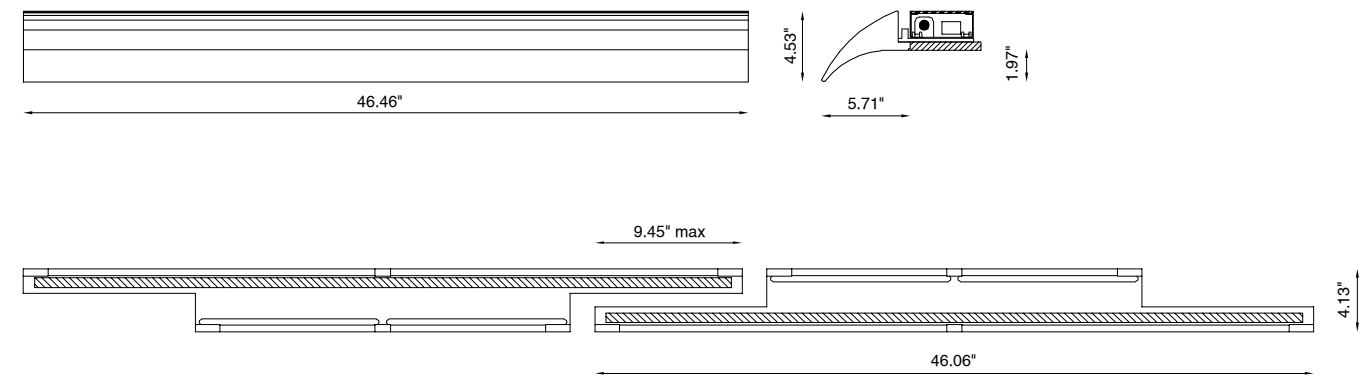
**designplan** 

79 Trenton Avenue  
Frenchtown, NJ 08825

www.designplan.com

Tel: (908) 996-7710  
Fax: (908) 996-7042



**Recessed**



### TECHNICAL FEATURES | BODYFRAME

Code	<b>BU8200.AC</b>
Material	AC: AirCoral <sup>®</sup>
Absorption capacity*	242.19 ft <sup>2</sup>
Weight	13.23 lbs
Mounting	Ceiling and wall half recessed
IP rating	-
Cut out for plasterboard	46.46"
Light hole	for each module installed

### TECHNICAL FEATURES | LIGHT SOURCE

Code	<b>BU8219</b>
Type	Downlight 90°   Wall recessed 90° 
Weight	-
IP rating	IP40
Control gear	Constant voltage driver
Lamp type	LED 24VDC 
Lamp wattage	1 x 28W
Luminous efficacy	2800 lm
Light distribution	wide beam 120°
Fitting	-
Light colour	White 3000K White 2700K (on request)
Light hole	-
Voltage connection	24VDC · 50/60Hz
CRI	>90

\* The absorption capacity per m<sup>2</sup> calculated by the American organization TCNA (Tile Council of North America) is measured for an average room of 2.7 m in height and therefore expressed in m<sup>2</sup>



Armani Casa - Maçka Residences - Istanbul

EXAMPLE OF INSTALLATION

Optional Code BU8210

Code BU8219 (28W)

Code BU8200.AC

