

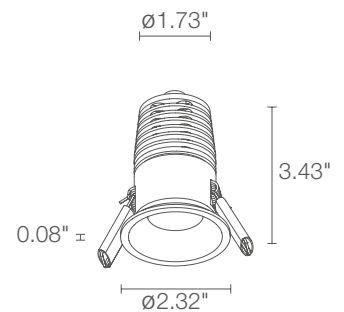
The Esem 3.0 recessed 8W LED downlight, perfect for general and effect lighting. With an IP44 installed rating, the fixture is perfect for applications in the residential, commercial or hospitality spheres.



## TECHNICAL DATA

<b>Wattage / Input</b>	8W (500mA)
<b>Power Supply</b>	Remote, not included. See page 2.
<b>Construction</b>	Body/Trim: Anodized Aluminum EN AW 6082 Cable Length: 11.81"
<b>CCT</b>	2700K, 3000K, 4000K
<b>CRI</b>	CRI>80
<b>Delivered Lumens</b>	425 lm (3000K, 30°)
<b>Efficacy</b>	53.1 lm/W
<b>Optics</b>	20°, 30°, 54°
<b>Finishes</b>	White, Black, Custom RAL (see below)
<b>Cut-Out Dimensions</b>	Ø1.97"
<b>Fixture Dimensions</b>	Ø2.32" x 3.43" h
<b>Fixture Weight</b>	0.55 lbs
<b>LED Source</b>	1 Multichip Power LED
<b>Lumen Maintenance</b>	L90,B10 >50,000hrs (Ta 25°C)
<b>Color Consistency</b>	2-Step MacAdam
<b>Operating Temp.</b>	32°F to 113°F
<b>IP Rating</b>	IP40, IP44 Installed
<b>Impact Rating</b>	—

Ceiling Cut-Out: Ø1.97"  
Fixture Dimensions



## ORDERING INFORMATION

Example: ES3010FSB. Power Supplies ordered separately.

ES3010			
Model No.	CCT	Optics	Finish
ES3010	F - 2700K 5 - 3000K 9 - 4000K	S - 20° M - 30° L - 54°	B - White N - Black C - Custom RAL (consult factory for "C")

Job Name/Date:

Fixture Type Designation:

## SUGGESTED POWER SUPPLIES

500mA

Part Number	Description	Input/Output	# of Fixtures
<a href="#">PPLT00497</a>	Phase Dim (120V only)	120VAC to 500mA, 12W, Class 2	1-1
<a href="#">PPLT00465-P</a>	0-10V Dimming to 1.0%	120-277VAC to 500mA, 20W, Class 2	1-2
<a href="#">PPLT00309-P</a>	0-10V Dimming to 0.1%	120-277VAC to 500mA, 50W, Class 2	1-4
<a href="#">PPLT00538-P</a>	0-10V Dimming to 0.1%	120-277VAC to 500mA, 100W, Class 2	1-12

## Suggested Lutron Compatible Drivers

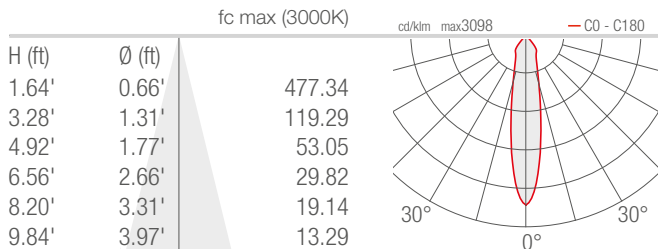
Part Number	Option	Lutron SKU	Dim Range	Description	Input/Output	# of Fixtures
<a href="#">PPLT00259</a>	L3DAE / L3DA3W	L3DA	100%-1%	Hi-Lume™ 1% EcoSystem™ / 1% 3-Wire LED Driver	120-277VAC, 10W	1-1
<a href="#">PPLT00195</a>	L3DAE / L3DA3W	L3DA	100%-1%	Hi-Lume™ 1% EcoSystem™ / 1% 3-Wire LED Driver	120-277VAC, 19W	2-2
<a href="#">PPLT00180</a>	L3DAE / L3DA3W	L3DA	100%-1%	Hi-Lume™ 1% EcoSystem™ / 1% 3-Wire LED Driver	120-277VAC, 27W	3-3

For other power supply options consult factory.

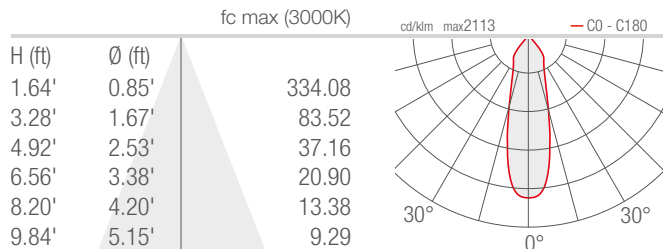
## PHOTOMETRIC DATA

Note all Photometry is 3000K

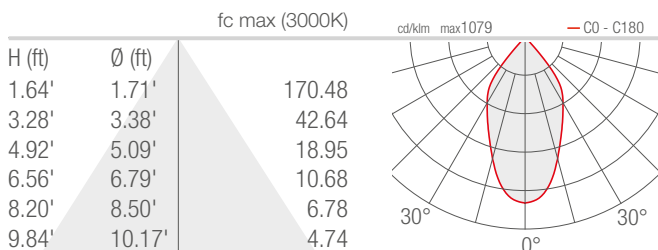
### S - 20°



### M - 30°



### L - 54°



Job Name/Date:

Fixture Type Designation: