

ESEM 3.2

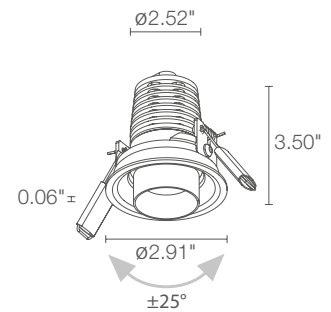
The Esem 3.0 recessed 8W LED adjustable downlight with snoot is perfect for general and effect lighting. Featuring a discreet, elegant design, the fixture is perfect for applications in the residential, commercial or hospitality spheres.



TECHNICAL DATA

Wattage / Input	8W (500mA)
Power Supply	Remote, not included. See page 2.
Construction	Body/Trim: Anodized aluminum EN AW 6082 Cable Length: 11.81"
CCT	2700K, 3000K, 4000K
CRI	CRI>80
Delivered Lumens	436 lm (3000K, 29°)
Efficacy	54.5 lm/W
Optics	16°, 29°, 46° (tiltable ±25°)
Finishes	White, Black, Custom RAL (see below)
Cut-Out Dimensions	Ø2.56"
Fixture Dimensions	Ø2.91" x 3.54" h
Fixture Weight	0.66 lbs
LED Source	1 Multichip Power LED
Lumen Maintenance	L90,B10 >50,000hrs (Ta 25°C)
Color Consistency	2-Step MacAdam
Operating Temp.	32°F to 113°F
IP Rating	IP40
Impact Rating	—

Ceiling Cut-Out: Ø2.56"
Fixture Dimensions



ORDERING INFORMATION

Example: ES3200FSB. Power Supplies ordered separately.

ES3200			
Model No.	CCT	Optics	Finish
ES3200	F - 2700K 5 - 3000K 9 - 4000K	S - 16° tiltable ±25° M - 29° tiltable ±25° L - 46° tiltable ±25°	B - White N - Black C - Custom RAL (consult factory for "C")

Job Name/Date:

Fixture Type Designation:

SUGGESTED POWER SUPPLIES

500mA

Part Number	Description	Input/Output	# of Fixtures
PPLT00497	Phase Dim (120V only)	120VAC to 500mA, 12W, Class 2	1-1
PPLT00465-P	0-10V Dimming to 1.0%	120-277VAC to 500mA, 20W, Class 2	1-2
PPLT00309-P	0-10V Dimming to 0.1%	120-277VAC to 500mA, 50W, Class 2	1-4
PPLT00538-P	0-10V Dimming to 0.1%	120-277VAC to 500mA, 100W, Class 2	1-12

Suggested Lutron Compatible Drivers

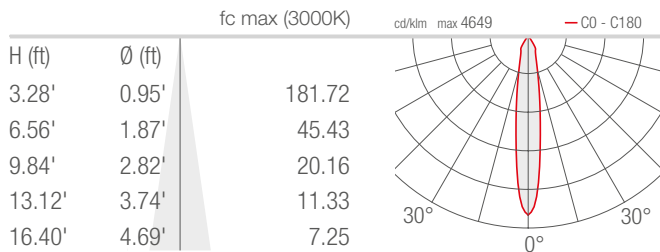
Part Number	Option	Lutron SKU	Dim Range	Description	Input/Output	# of Fixtures
PPLT00259	L3DAE / L3DA3W	L3DA	100%-1%	Hi-Lume™ 1% EcoSystem™ / 1% 3-Wire LED Driver	120-277VAC, 10W	1-1
PPLT00195	L3DAE / L3DA3W	L3DA	100%-1%	Hi-Lume™ 1% EcoSystem™ / 1% 3-Wire LED Driver	120-277VAC, 19W	2-2
PPLT00180	L3DAE / L3DA3W	L3DA	100%-1%	Hi-Lume™ 1% EcoSystem™ / 1% 3-Wire LED Driver	120-277VAC, 27W	3-3

For other power supply options consult factory.

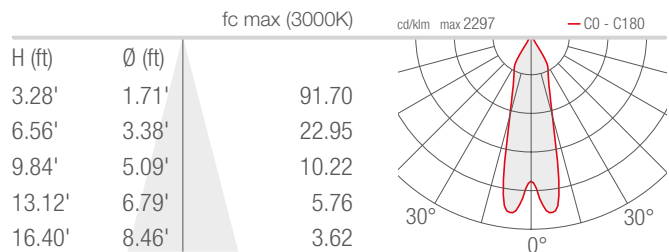
PHOTOMETRIC DATA

Note all Photometry is 3000K

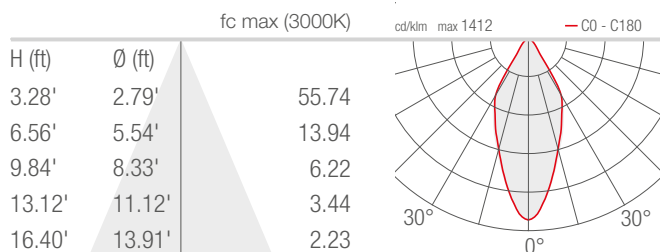
S - 16°



M - 29°



L - 46°



Job Name/Date:

Fixture Type Designation: