

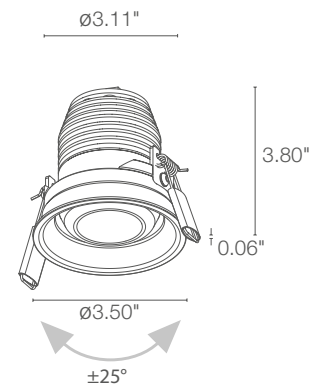
The Esem 4.0 recessed 14W LED adjustable downlight, perfect for general and effect lighting. Featuring a discreet, elegant design, the fixture is perfect for applications in the residential, commercial or hospitality spheres.



## TECHNICAL DATA

<b>Wattage / Input</b>	14W (350mA)
<b>Power Supply</b>	Remote, not included. See page 2.
<b>Construction</b>	Body/Trim: Anodized aluminum EN AW 6082 Cable Length: 11.81"
<b>CCT</b>	2700K, 3000K, 4000K
<b>CRI</b>	CRI>80
<b>Delivered Lumens</b>	957 lm (3000K, 24°)
<b>Efficacy</b>	68.4 lm/W
<b>Optics</b>	20°, 40° (tiltable ±25°)
<b>Finishes</b>	White, Black, Custom RAL (see below)
<b>Cut-Out Dimensions</b>	Ø3.15"
<b>Fixture Dimensions</b>	Ø3.50" x 3.74" h
<b>Fixture Weight</b>	1.10 lbs
<b>LED Source</b>	1 Multichip Power LED
<b>Lumen Maintenance</b>	L85,B10 >50,000hrs (Ta 25°C)
<b>Color Consistency</b>	2-Step MacAdam
<b>Operating Temp.</b>	32°F to 113°F
<b>IP Rating</b>	IP40
<b>Impact Rating</b>	—

Ceiling Cut-Out: Ø3.15"  
Fixture Dimensions



## ORDERING INFORMATION

Example: ES4100FMB. Power Supplies ordered separately.

ES4100			
Model No.	CCT	Optics	Finish
ES4100	F - 2700K 5 - 3000K 9 - 4000K	M - 20° tiltable ±25° L - 40° tiltable ±25°	B - White N - Black C - Custom RAL (consult factory for "C")

Job Name/Date:

Fixture Type Designation:

## SUGGESTED POWER SUPPLIES

350mA

Part Number	Description	Input/Output	# of Fixtures
<a href="#">PPLT00468</a>	Phase Dim (120V only)	120VAC to 350mA, 14W, Class 2	1-1
<a href="#">PPLT00465-P</a>	0-10V Dimming to 1.0%	120-277VAC to 350mA, 20W, Class 2	1-1
<a href="#">PPLT00308-P</a>	0-10V Dimming to 0.1%	120-277VAC to 350mA, 30W, Class 2	1-1
<a href="#">PPLT00538-P</a>	0-10V Dimming to 0.1%, 4 Channel	120-277VAC to 350mA, 100W, Class 2	1-4

## Suggested Lutron Compatible

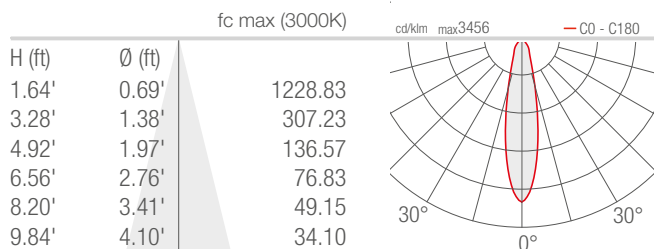
Part Number	Option	Lutron SKU	Dim Range	Description	Input/Output	# of Fixtures
<a href="#">PPLT00220</a>	LTEA2W	LTEA	100%-1%	Hi-Lume™ 1% 2-Wire LED Driver (120V forward phase only)	120VAC, 19W	1-1
<a href="#">PPLT00179</a>	L3DAE / L3DA3W	L3DA	100%-1%	Hi-Lume™ 1% EcoSystem™ / 1% 3-Wire LED Driver	120-277VAC, 19W	1-1

For other power supply options consult factory.

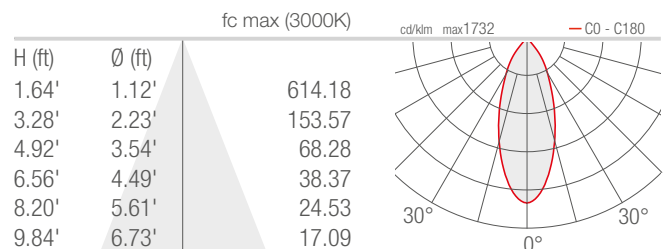
## PHOTOMETRIC DATA

Note all Photometry is 3000K

### M - 20°



### L - 40°



Job Name/Date:

Fixture Type Designation: