

ESEM 4.2

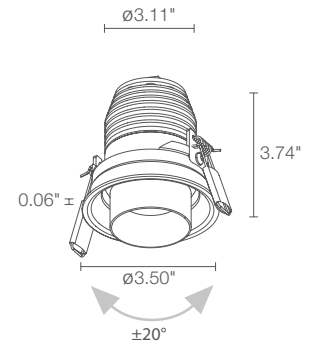
The Esem 4.0 recessed 14W LED adjustable downlight with snoot, perfect for general and effect lighting. Featuring a discreet, elegant design, the fixture is perfect for applications in the residential, commercial or hospitality spheres.



TECHNICAL DATA

Wattage / Input	14W (350mA)
Power Supply	Remote, not included. See page 2.
Construction	Body/Trim: Anodized aluminum EN AW 6082 Cable Length: 11.81"
CCT	2700K, 3000K, 4000K
CRI	CRI>80
Delivered Lumens	940 lm (3000K, 24°)
Efficacy	67.1 lm/W
Optics	24°, 47° (tiltable ±20°)
Finishes	White, Black, Custom RAL (see below)
Cut-Out Dimensions	Ø3.15"
Fixture Dimensions	Ø3.50" x 3.74" h
Fixture Weight	1.10 lbs
LED Source	1 Multichip Power LED
Lumen Maintenance	L85,B10 >50,000hrs (Ta 25°C)
Color Consistency	2-Step MacAdam
Operating Temp.	32°F to 113°F
IP Rating	IP40
Impact Rating	—

Ceiling Cut-Out: Ø3.15"
Fixture Dimensions



ORDERING INFORMATION

Example: ES4200FMB. Power Supplies ordered separately.

ES4200			
Model No.	CCT	Optics	Finish
ES4200	F - 2700K 5 - 3000K 9 - 4000K	M - 24° tiltable ±20° L - 37° tiltable ±20°	B - White N - Black C - Custom RAL (consult factory for "C")

Job Name/Date:

Fixture Type Designation:

SUGGESTED POWER SUPPLIES

350mA

Part Number	Description	Input/Output	# of Fixtures
PPLT00465-P	0-10V Dimming to 1.0%	120-277VAC to 350mA, 20W, Class 2	1-1
PPLT00308-P	0-10V Dimming to 0.1%	120-277VAC to 350mA, 30W, Class 2	1-1
PPLT00309-P	0-10V Dimming to 0.1%	120-277VAC to 350mA, 50W, Class 2	1-1
PPLT00538-P	0-10V Dimming to 0.1%, 4 Channel	120-277VAC to 350mA, 100W, Class 2	1-4

Suggested Lutron Compatible Drivers

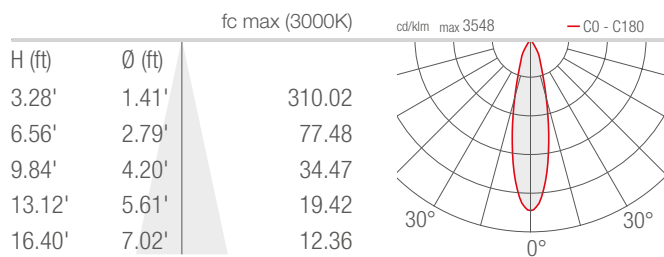
Part Number	Option	Lutron SKU	Dim Range	Description	Input/Output	# of Fixtures
PPLT00179	L3DAE / L3DA3W	L3DA	100%-1%	Hi-Lume™ 1% EcoSystem™ / 1% 3-Wire LED Driver	120-277VAC, 19W	1-1

For other power supply options consult factory.

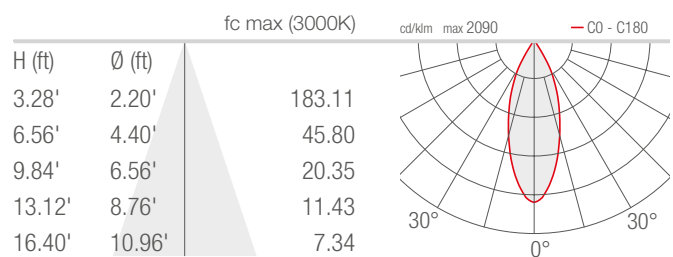
PHOTOMETRIC DATA

Note all Photometry is 3000K

M - 24°



L - 37°



Job Name/Date:

Fixture Type Designation: