

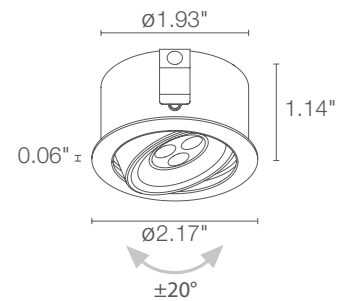
The Esem Mid 1.6 adjustable recessed 3W LED downlight, perfect for general and effect lighting. Featuring a discreet, elegant design, perfect for applications in the residential, commercial or hospitality spheres.



TECHNICAL DATA

Wattage / Input	3W (24VDC)
Power Supply	Remote, not included. See page 2.
Construction	Body/Trim: Anodized aluminum EN AW 6026 Cable Length: 4.92'
CCT	2700K, 3000K, 4000K, 5000K
CRI	CRI>80
Delivered Lumens	220 lm (3000K, 22°)
Efficacy	73.3 lm/W
Optics	4 Standard (tiltable $\pm 20^\circ$, see below)
Finishes	3 Standard, Custom RAL (see below)
Cut-Out Dimensions	$\varnothing 1.97''$
Fixture Dimensions	$\varnothing 2.17'' \times 1.14''$ h
Fixture Weight	0.20 lbs
LED Source	3 Power LED
Lumen Maintenance	L95,B10>50,000hrs (Ta 25°C)
Color Consistency	1/4 ANSI BIN
Operating Temp.	32°F to 113°F
IP Rating	IP40, IP44 on request (consult factory)
Impact Rating	—

Ceiling Cut-Out: $\varnothing 1.97''$
Fixture Dimensions



ORDERING INFORMATION

Example: EM1700FSB. Power Supplies ordered separately.

EM1700			
Model No.	CCT	Optics	Finish
EM1700	F - 2700K 5 - 3000K 9 - 4000K 0 - 5000K	S - 11° tiltable $\pm 20^\circ$ M - 22° tiltable $\pm 20^\circ$ L - 30° tiltable $\pm 20^\circ$ W - 20° x 45° tiltable $\pm 20^\circ$	B - White N - Black A - Anodized Aluminum C - Custom RAL (Consult factory for "C")

Job Name/Date:

Fixture Type Designation:

SUGGESTED POWER SUPPLIES

24VDC

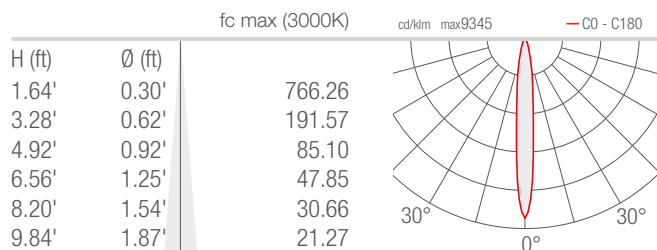
Part Number	Description	Input/Output	# of Fixtures
PPLT00128	Non-Dim	120VAC to 24VDC, 6W, Class 2, IP65	1-1
PPLT00632	0-10V Dimming (Dim to Off)	120-277VAC to 24VDC, 12W, Class 2	1-3
PPLT00157	Non-Dim	120VAC to 24VDC, 60W, Class 2	1-16
PPLT00709	ELV / TRIAC & 0-10V Dimming	120-277VAC to 24VDC, 96W, Class 2, DAMP	1-25
PPLT00158	Non-Dim	120VAC to 24VDC, 100W, Class 2	1-26
PPLT00543	0-10V Dimming to 15% (-40°C / -40°F cold weather start)	120-277VAC to 24VDC, 100W, Class 2	1-26

For other power supply options consult factory.

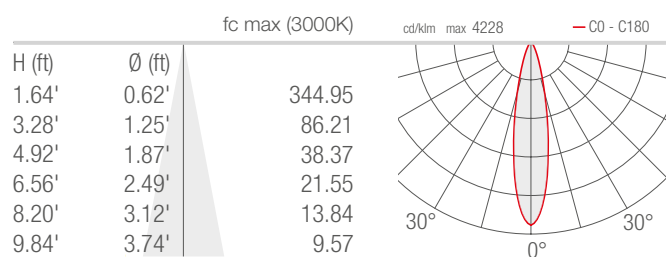
PHOTOMETRIC DATA

Note all Photometry is 3000K

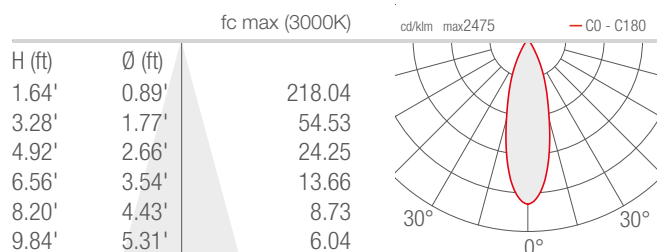
S - 11°



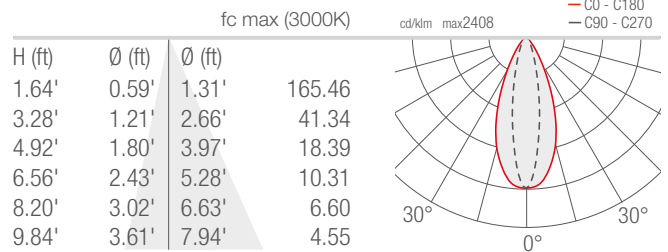
M - 22°



L - 30°



W - 20°x45°



Job Name/Date:

Fixture Type Designation: