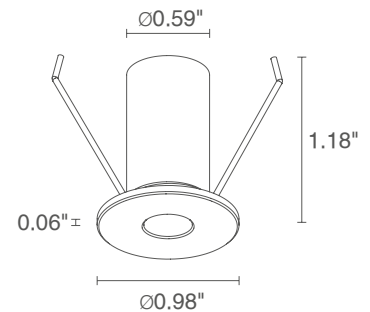


The Eyes 1.0 is a miniscule indoor recessed downlight available in blue or white light with 5 standard finishes and 2 optical options.



Ceiling Cut-Out: Ø 0.71"
Fixture Dimensions



TECHNICAL DATA

Wattage / Input	1W (350mA)
Power Supply	Remote, not included. See page 2.
Construction	Body: Anodized Aluminum Alloy EN AW 6026 Trim: Brass Cable Length: 4.9' standard
CCT	2700K, 3000K, 4000K, 5000K, Blue
CRI	CRI >80
Delivered Lumens	54 lm (3000K, 40°)
Efficacy	54 lm/W
Optics	40°, Diffuse
Finishes	5 Standard, Custom RAL (see below)
Cut-Out Dimensions	Ø0.71"
Fixture Dimensions	Ø0.98" x 1.18" h
Fixture Weight	0.18 lbs
LED Source	1 Power LED
Lumen Maintenance	L90, B10>50,000hrs (Ta 25°C)
Color Consistency	1/4 ANSI BIN
Operating Temp.	32°F to +113°F
IP Rating	IP40

ORDERING INFORMATION

Example: EY10115FD. Power Supplies ordered separately.

EY1011			
Model No.	CCT	Optics	Finish
EY1011	F - 2700K 5 - 3000K 9 - 4000K 0 - 5000K 1 - Blue	F - 40° D - Diffuse	B - White C - Chrome D - Gold S - Satin N - Black CR - Custom RAL (Consult factory for "CR")

Job Name/Date:

Fixture Type Designation:

SUGGESTED POWER SUPPLIES

350mA

Part Number	Description	Input/Output	# of Fixtures
PPLT00496	Phase Dimming (120V Only)	120VAC to 350mA, 12W, Class 2	3-9
PPLT00308-P	0-10V Dimming to 0.1%	120-277VAC to 350mA, 30W, Class 2	1-16
PPLT00168-P	0-10V Dimming to 1.0%	120-277VAC to 350mA, 50W, Class 2	1-32
PPLT00538-P	0-10V Dimming to 0.1%	120-277VAC to 350mA, 100W, Class 2	1-68

Suggested Lutron Compatible

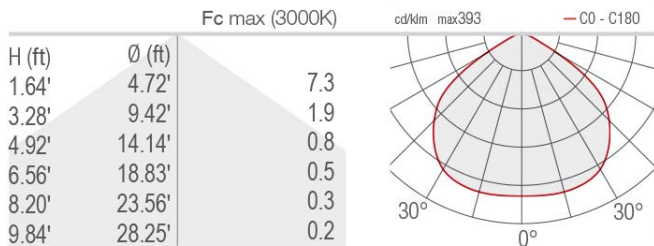
Part Number	Option	Lutron SKU	Dim Range	Description	Input/Output	# of Fixtures
PPLT00247	L3DAE / L3DA3W	L3DA	100%-1%	Hi-Lume™ 1% EcoSystem™ or 1% 3-Wire LED Driver	120-277VAC to 350mA, 7W, Class 2	4-5
PPLT00516	L3DAE / L3DA3W	L3DA	100%-1%	Hi-Lume™ 1% EcoSystem™ or 1% 3-Wire LED Driver	120-277VAC to 350mA, 13W, Class 2	6-11
PPLT00179	L3DAE / L3DA3W	L3DA	100%-1%	Hi-Lume™ 1% EcoSystem™ or 1% 3-Wire LED Driver	120-277VAC to 350mA, 19W, Class 2	12-16

For other power supply options consult factory.

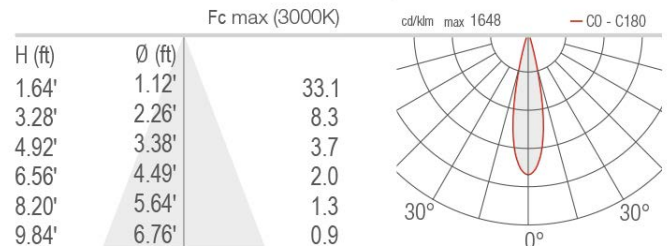
PHOTOMETRIC DATA

Note all Photometry is 3000K

D - Diffuse



F - 40°



Job Name/Date:

Fixture Type Designation: