

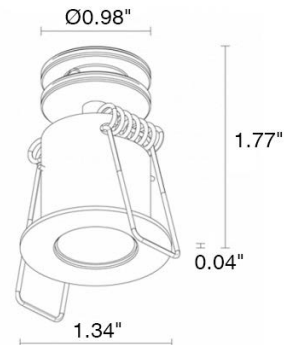
The Eyes 2.R is a small, round, recessed downlight for indoor applications available in 3 color temperatures and 5 optics options.



TECHNICAL DATA

Wattage / Input	2.5W (700mA Constant Current)
Power Supply	Remote, not included. See page 2.
Construction	Body: Brass Lens: Frosted / Transparent Plexiglass Cable Length: 4.9' standard
CCT	2700K, 3000K, 4000K
CRI	>90
Delivered Lumens	160 lm (3000K, 23°)
Efficacy	64 lm/W
Optics	5 Standard (see below)
Finishes	3 Standard, Custom RAL (see below)
Cut-Out Dimensions	Ø1.18"
Fixture Dimensions	Ø1.38" x 1.77"
Fixture Weight	0.17 lbs
LED Source	1 Power LED
Lumen Maintenance	L90, B10>60,000hrs (Ta 25°C)
Color Consistency	2-Step MacAdam
Operating Temp.	32°F to +113°F
IP Rating	IP40

Ceiling Cut-Out: Ø1.18"
Fixture Dimensions



ORDERING INFORMATION

Example: EY2R20100050MB. Accessories and Power Supplies ordered separately.

EY2R201000			
Model No.	CCT	Optics	Finish
EY2R201000	F - 2700K 5 - 3000K 9 - 4000K	0S - 17° 0M - 23° 0L - 36° 0W - 20°x40° 0D - Diffuse	N - Black S - Satin B - White CR - Custom RAL (Consult factory for "CR")

Job Name/Date:

Fixture Type Designation:

SUGGESTED POWER SUPPLIES

700mA

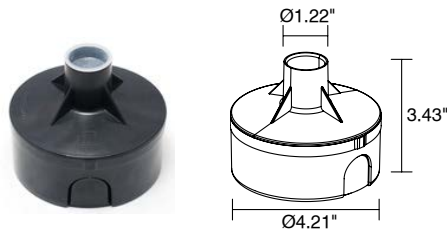
Part Number	Description	Input/Output	# of Fixtures
PPLT00199	0-10V Dimming to 10%	120-277VAC to 700mA, 6W, Class 2, IP67	2-2
PPLT00470	Phase Dim (120V only)	120VAC to 700mA, 14W, Class 2	3-5
PPLT00465-P	0-10V Dimming to 1.0%	120-277VAC to 700mA, 20W, Class 2	1-8
PPLT00308-P	0-10V Dimming to 0.1%	120-277VAC to 700mA, 30W, Class 2	1-12
PPLT00467-P	0-10V Dimming to 1.0%	120-277VAC to 700mA, 50W, Class 2	1-17
PPLT00538-P	0-10V Dimming to 0.1%	120-277VAC to 700mA, 100W, Class 2	1-40

Suggested Lutron Compatible

Part Number	Option	Lutron SKU	Dim Range	Description	Input/Output	# of Fixtures
PPLT00515	L3DAE / L3DA3W	L3DA	100%-1%	Hi-Lume™ 1% EcoSystem™ or 1% 3-Wire LED Driver	120-277VAC to 500mA, 14W, Class 2	3-5
PPLT00517	L3DAE / L3DA3W	L3DA	100%-1%	Hi-Lume™ 1% EcoSystem™ or 1% 3-Wire LED Driver	120-277VAC to 500mA, 27W, Class 2	6-10
PPLT00181	L3DAE / L3DA3W	L3DA	100%-1%	Hi-Lume™ 1% EcoSystem™ or 1% 3-Wire LED Driver	120-277VAC to 500mA, 38W, Class 2	11-15

For other power supply options consult factory.

ACCESSORIES - Installation



WC0202

Outer Casing for solid walls.

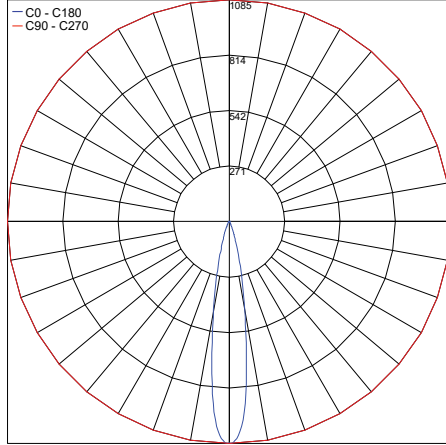
Job Name/Date:

Fixture Type Designation:

PHOTOMETRIC DATA

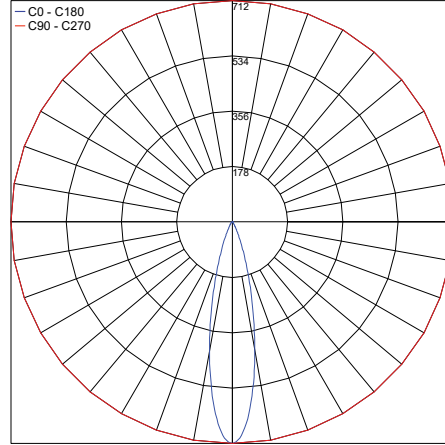
Note all Photometry is 3000K

Maximum Candela = 1084.7



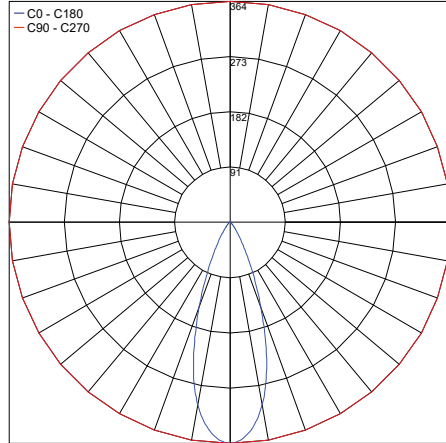
PHOTOMETRIC FILENAME : EYES 2.R S 17° [3000K 2.5W 700MA].IES

Maximum Candela = 712.1



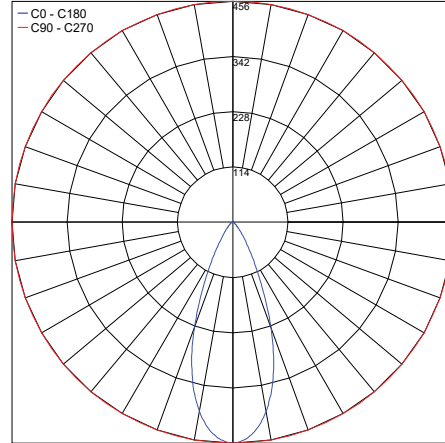
PHOTOMETRIC FILENAME : EYES 2.R M 23° [3000K 2.5W 700MA].IES

Maximum Candela = 363.9



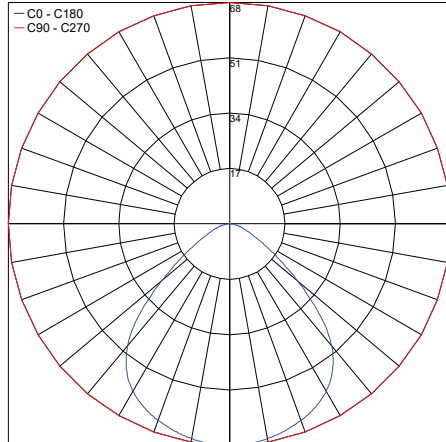
PHOTOMETRIC FILENAME : EYES 2.R L 36° [3000K 2.5W 700MA].IES

Maximum Candela = 456.4



PHOTOMETRIC FILENAME : EYES 2.R W 20°X40° [3000K 2.5W 700MA].IES

Maximum Candela = 67.6



PHOTOMETRIC FILENAME : EYES 2.R D [3000K 2.5W 700MA].IES

Job Name/Date:

Fixture Type Designation: