

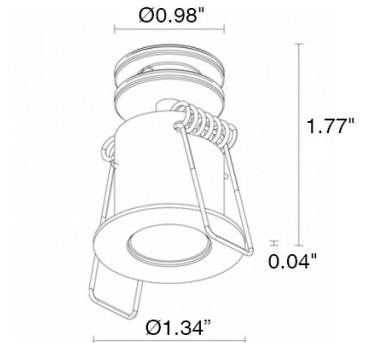
The Eyes 2.T is a small, round, recessed downlight for indoor applications available in 3 color temperatures and 5 optics options.



## TECHNICAL DATA

<b>Wattage / Input</b>	3W (24VDC Constant Voltage)
<b>Power Supply</b>	Remote, not included. See page 2.
<b>Construction</b>	Body: Brass Lens: Frosted / Transparent Plexiglass Cable Length: 4.9' standard
<b>CCT</b>	2700K, 3000K, 4000K
<b>CRI</b>	>90
<b>Delivered Lumens</b>	160 lm (3000K, 23°)
<b>Efficacy</b>	53.3 lm/W
<b>Optics</b>	5 Standard (see below)
<b>Finishes</b>	3 Standard, Custom RAL (see below)
<b>Cut-Out Dimensions</b>	Ø1.18"
<b>Fixture Dimensions</b>	Ø1.34" x 1.77"
<b>Fixture Weight</b>	0.17 lbs
<b>LED Source</b>	1 Power LED
<b>Lumen Maintenance</b>	L90, B10>60,000hrs (Ta 25°C)
<b>Color Consistency</b>	2-Step MacAdam
<b>Operating Temp.</b>	32°F to +113°F
<b>IP Rating</b>	IP40

Ceiling Cut-Out: Ø1.18"  
Fixture Dimensions



## ORDERING INFORMATION

Example: EY2T00100050MB. Accessories and Power Supplies ordered separately.

EY2T001000			
Model No.	CCT	Optics	Finish
EY2T001000	F - 2700K 5 - 3000K 9 - 4000K	0S - 17° 0M - 23° 0L - 36° 0W - 20°x40° 0D - Diffuse	N - Black S - Satin B - White CR - Custom RAL (Consult factory for "CR")

Job Name/Date:

Fixture Type Designation:

## SUGGESTED POWER SUPPLIES

24VDC

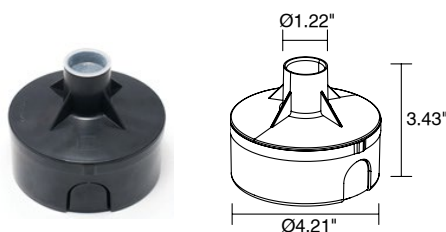
Part Number	Description	Input/Output	# of Fixtures
<a href="#">PPLT00128</a>	Non-Dim	120VAC to 24VDC, 6W, Class 2, IP65	1-1
<a href="#">PPLT00632</a>	0-10V Dimming (Dim to Off)	120-277VAC to 24VDC, 12W, Class 2	1-3
<a href="#">PPLT00586</a>	Non-Dim	120-277VAC to 24VDC, 40W, Class 2	1-10
<a href="#">PPLT00709</a>	ELV / TRIAC & 0-10V Dimming	120-277VAC to 24VDC, 96W, Class 2, DAMP	1-25
<a href="#">PPLT00543</a>	0-10V Dimming to 15% (-40°C / -40°F cold weather start)	120-277VAC to 24VDC, 100W, Class 2	4-26

## Suggested Lutron Compatible

Part Number	Option	Lutron SKU	Dim Range	Description	Input/Output	# of Fixtures
<a href="#">PPLT00273</a>	L3DAE / L3DA3W	L3DA	100%-1%	Hi-Lume™ 1% EcoSystem™ or 1% 3-Wire LED Driver	120-277VAC to 24VDC, 40W, Class 2	1-10
<a href="#">PPLT00530</a>	L3DAE / L3D0	L3DA/L3D0	100%-1%	Hi-Lume™ 0.1% EcoSystem™ or 3-Wire LED Driver	120-277VAC to 24VDC, 96W, Class 2	1-25

For other power supply options consult factory.

## ACCESSORIES - Installation



### WC0202

Outer Casing for solid walls.

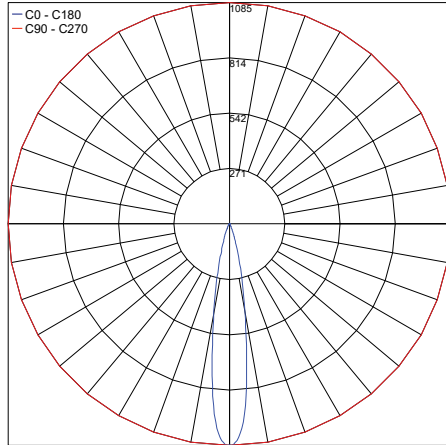
Job Name/Date:

Fixture Type Designation:

## PHOTOMETRIC DATA

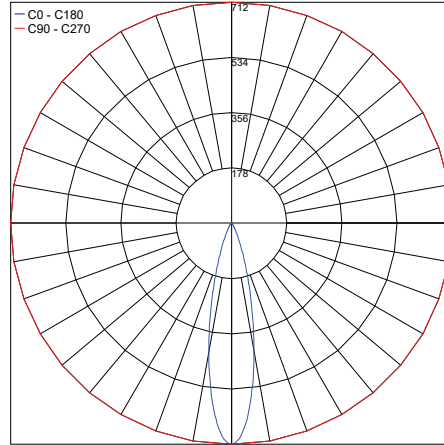
Note all Photometry is 3000K

Maximum Candela = 1084.7



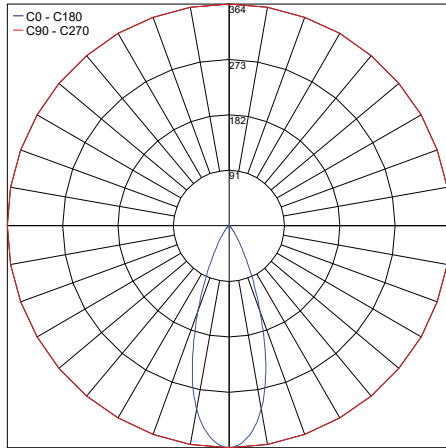
PHOTOMETRIC FILENAME : EYES 2.T S 17° [3000K 3W 24VDC].IES

Maximum Candela = 712.1



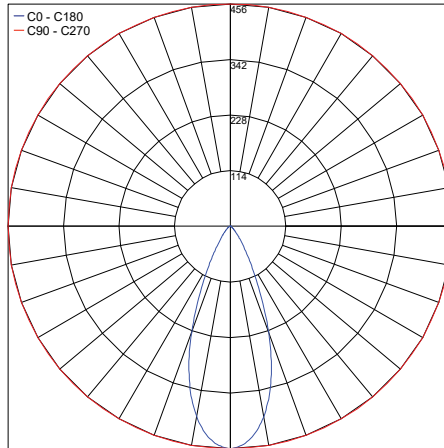
PHOTOMETRIC FILENAME : EYES 2.T M 23° [3000K 3W 24VDC].IES

Maximum Candela = 363.9



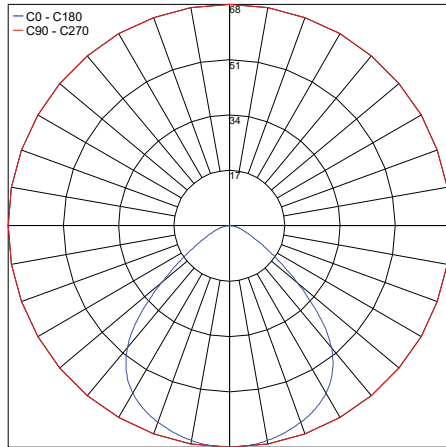
PHOTOMETRIC FILENAME : EYES 2.T L 36° [3000K 3W 24VDC].IES

Maximum Candela = 456.4



PHOTOMETRIC FILENAME : EYES 2.T W 20°X40° [3000K 3W 24VDC].IES

Maximum Candela = 67.6



PHOTOMETRIC FILENAME : EYES 2.T D [3000K 3W 24VDC].IES

Job Name/Date:

Fixture Type Designation: