

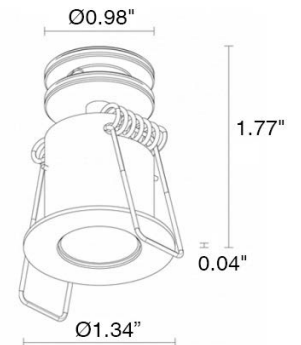
The Eyes 2.T is a small, round, recessed downlight for indoor applications available in 3 color temperatures and 5 optics options.



## TECHNICAL DATA

|                           |  |
|---------------------------|--|
| <b>Wattage / Input</b>    | 3W (24VDC Constant Voltage)  |
| <b>Power Supply</b>       | Remote, not included. See page 2.  |
| <b>Construction</b>       | Body: Brass<br>Lens: Frosted / Transparent Plexiglass<br>Cable Length: 4.9' standard |
| <b>CCT</b>                | 2700K, 3000K, 4000K  |
| <b>CRI</b>                | >90  |
| <b>Delivered Lumens</b>   | 160 lm (3000K, 23°)  |
| <b>Efficacy</b>           | 53.3 lm/W  |
| <b>Optics</b>             | 5 Standard (see below)   |
| <b>Finishes</b>           | 3 Standard, Custom RAL (see below)   |
| <b>Cut-Out Dimensions</b> | Ø1.18"   |
| <b>Fixture Dimensions</b> | Ø1.34" x 1.77"   |
| <b>Fixture Weight</b>     | 0.17 lbs   |
| <b>LED Source</b>         | 1 Power LED  |
| <b>Lumen Maintenance</b>  | L90, B10>60,000hrs (Ta 25°C)   |
| <b>Color Consistency</b>  | 2-Step MacAdam   |
| <b>Operating Temp.</b>    | 32°F to +113°F   |
| <b>IP Rating</b>          | IP40   |

Ceiling Cut-Out: Ø1.18"  
Fixture Dimensions



## ORDERING INFORMATION

Example: EY2T00100050MB. Accessories and Power Supplies ordered separately.

| EY2T001000 |                                     |  |  |
|------------|-------------------------------------|--|--|
| Model No.  | CCT                                 | Optics   | Finish   |
| EY2T001000 | F - 2700K<br>5 - 3000K<br>9 - 4000K | 0S - 17°<br>0M - 23°<br>0L - 36°<br>0W - 20°x40°<br>0D - Diffuse | N - Black<br>S - Satin<br>B - White<br>CR - Custom RAL<br>(Consult factory for "CR") |

Job Name/Date:

Fixture Type Designation:

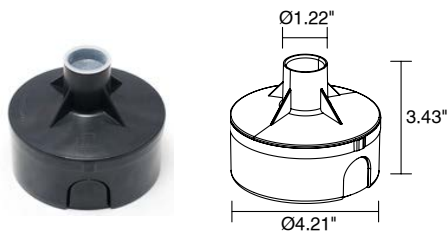
## SUGGESTED POWER SUPPLIES

24VDC

| Part Number               | Description   | Input/Output                           | # of Fixtures |
|---------------------------|---|--|---------------|
| <a href="#">PPLT00128</a> | Non-Dim   | 120VAC to 24VDC, 6W, Class 2, IP65     | 1-1           |
| <a href="#">PPLT00632</a> | 0-10V Dimming (Dim to Off)                              | 120-277VAC to 24VDC, 12W, Class 2      | 1-3           |
| <a href="#">PPLT00056</a> | Non-Dim   | 120-277AC to 24VDC, 26W, Class 2, IP66 | 1-6           |
| <a href="#">PPLT00157</a> | Non-Dim   | 120VAC to 24VDC, 60W, Class 2          | 1-16          |
| <a href="#">PPLT00599</a> | ELV / TRIAC & 0-10V Dimming 100-0%                      | 120-277VAC to 24VDC, 96W, Class 2      | 1-25          |
| <a href="#">PPLT00543</a> | 0-10V Dimming to 15% (-40°C / -40°F cold weather start) | 120-277VAC to 24VDC, 100W, Class 2     | 4-26          |

For other power supply options consult factory.

## ACCESSORIES - Installation



### WC0202

Outer Casing for solid walls.

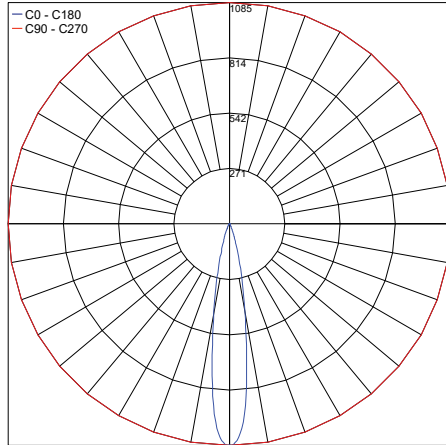
Job Name/Date:

Fixture Type Designation:

## PHOTOMETRIC DATA

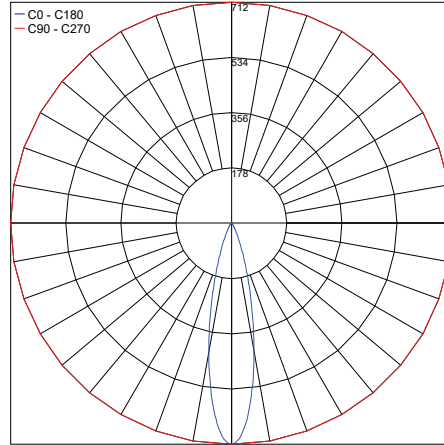
Note all Photometry is 3000K

Maximum Candela = 1084.7



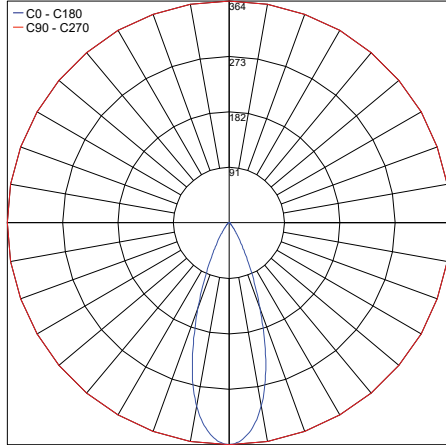
PHOTOMETRIC FILENAME : EYES 2.T S 17° [3000K 3W 24VDC].IES

Maximum Candela = 712.1



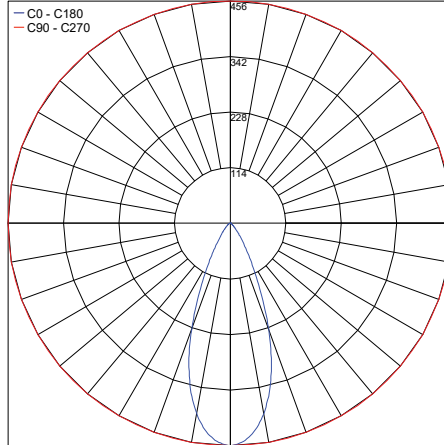
PHOTOMETRIC FILENAME : EYES 2.T M 23° [3000K 3W 24VDC].IES

Maximum Candela = 363.9



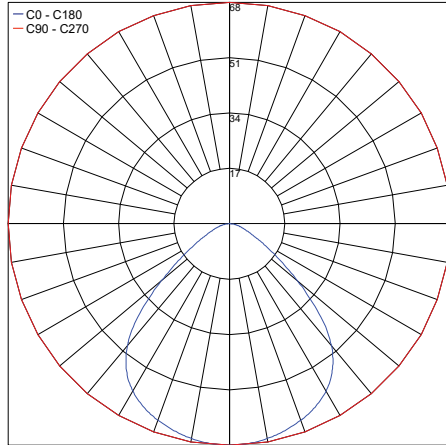
PHOTOMETRIC FILENAME : EYES 2.T L 36° [3000K 3W 24VDC].IES

Maximum Candela = 456.4



PHOTOMETRIC FILENAME : EYES 2.T W 20°X40° [3000K 3W 24VDC].IES

Maximum Candela = 67.6



PHOTOMETRIC FILENAME : EYES 2.T D [3000K 3W 24VDC].IES

Job Name/Date:

Fixture Type Designation: