

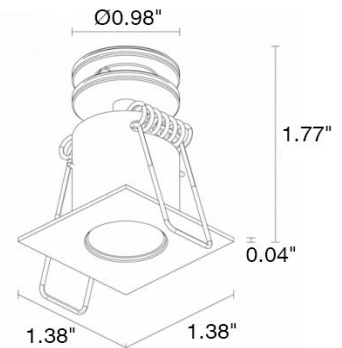
The Eyes 2.U is a small, square, recessed downlight for indoor applications available in 3 color temperatures and 5 optics options.



Ceiling Cut-Out: Ø1.18"  
Fixture Dimensions

## TECHNICAL DATA

<b>Wattage / Input</b>	3W (24VDC Constant Voltage)
<b>Power Supply</b>	Remote, not included. See page 2.
<b>Construction</b>	Body: Brass Lens: Frosted / Transparent Plexiglass Cable Length: 4.9' standard
<b>CCT</b>	2700K, 3000K, 4000K
<b>CRI</b>	>90
<b>Delivered Lumens</b>	160 lm (3000K, 23°)
<b>Efficacy</b>	64 lm/W
<b>Optics</b>	5 Standard (see below)
<b>Finishes</b>	3 Standard, Custom RAL (see below)
<b>Cut-Out Dimensions</b>	Ø1.18"
<b>Fixture Dimensions</b>	1.38" x 1.38" x 1.77" h
<b>Fixture Weight</b>	0.17 lbs
<b>LED Source</b>	1 Power LED
<b>Lumen Maintenance</b>	L90, B10>60,000hrs (Ta 25°C)
<b>Color Consistency</b>	2-Step MacAdam
<b>Operating Temp.</b>	32°F to +113°F
<b>IP Rating</b>	IP40



## ORDERING INFORMATION

Example: EY2U00100050MB. Accessories and Power Supplies ordered separately.

EY2U001000			
Model No.	CCT	Optics	Finish
EY2U001000	F - 2700K	0S - 17°	N - Black
	5 - 3000K	0M - 23°	S - Satin
	9 - 4000K	0L - 36°	B - White
		0W - 20°x40°	CR - Custom RAL
		0D - Diffuse	(Consult factory for "CR")

Job Name/Date:

Fixture Type Designation:

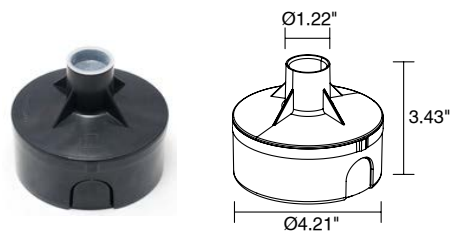
## SUGGESTED POWER SUPPLIES

24VDC

Part Number	Description	Input/Output	# of Fixtures
<a href="#">PPLT00128</a>	Non-Dim	120VAC to 24VDC, 6W, Class 2, IP65	1-1
<a href="#">PPLT00632</a>	0-10V Dimming (Dim to Off)	120-277VAC to 24VDC, 12W, Class 2	1-3
<a href="#">PPLT00056</a>	Non-Dim	120-277AC to 24VDC, 26W, Class 2, IP66	1-6
<a href="#">PPLT00157</a>	Non-Dim	120VAC to 24VDC, 60W, Class 2	1-16
<a href="#">PPLT00599</a>	ELV / TRIAC & 0-10V Dimming 100-0%	120-277VAC to 24VDC, 96W, Class 2	1-25
<a href="#">PPLT00543</a>	0-10V Dimming to 15% (-40°C / -40°F cold weather start)	120-277VAC to 24VDC, 100W, Class 2	4-26

For other power supply options consult factory.

## ACCESSORIES - Installation



### WC0202

Outer Casing for solid walls.

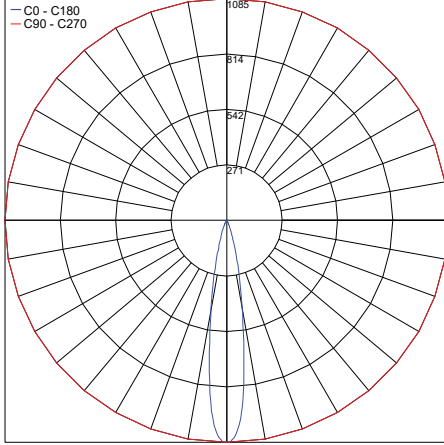
Job Name/Date:

Fixture Type Designation:

## PHOTOMETRIC DATA

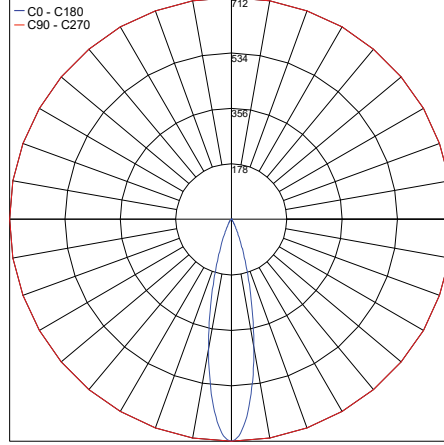
Note all Photometry is 3000K

Maximum Candela = 1084.7



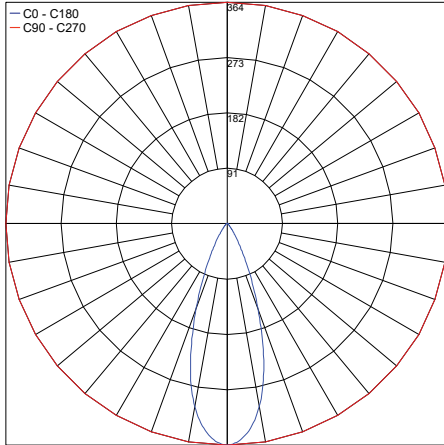
PHOTOMETRIC FILENAME : EYES 2.U S 17° [3000K 3W 24VDC].IES

Maximum Candela = 712.1



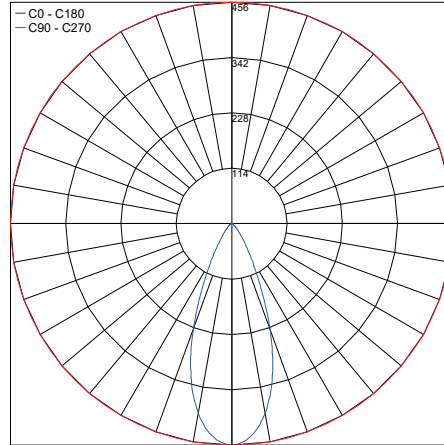
PHOTOMETRIC FILENAME : EYES 2.U M 23° [3000K 3W 24VDC].IES

Maximum Candela = 363.9



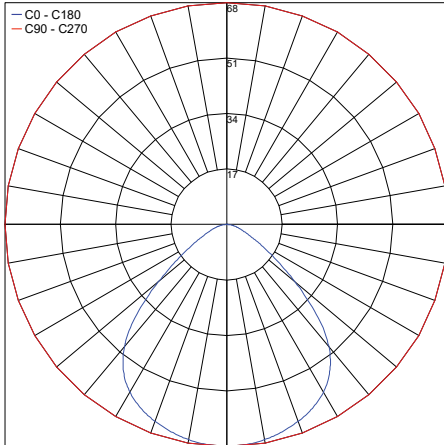
PHOTOMETRIC FILENAME : EYES 2.U L 36° [3000K 3W 24VDC].IES

Maximum Candela = 456.4



PHOTOMETRIC FILENAME : EYES 2.U W 20°x40° [3000K 3W 24VDC].IES

Maximum Candela = 67.6



PHOTOMETRIC FILENAME : EYES 2.U D [3000K 3W 24VDC].IES

Job Name/Date:

Fixture Type Designation: