

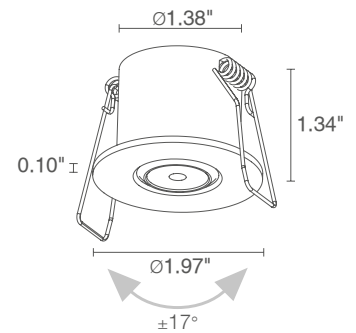
The Eyes 3.0 is an adjustable indoor recessed downlight available in blue or white light with 5 standard finishes and 4 adjustable optics options.



TECHNICAL DATA

Wattage / Input	2W (500mA)
Power Supply	Remote, not included. See page 2.
Construction	Body: Anodized Aluminum Alloy EN AW 6026 Trim: Brass Cable Length: 4.9' standard
CCT	2700K, 3000K, 4000K, 5000K, Blue (2200K available on request)
CRI	CRI >80
Delivered Lumens	103 lm (3000K, 20°)
Efficacy	51.5 lm/W
Optics	4 Standard on tiltable ±17° (see below)
Finishes	5 Standard, Custom RAL (see below)
Cut-Out Dimensions	Ø1.57"
Fixture Dimensions	Ø1.97" x 1.34" h
Fixture Weight	0.33 lbs
LED Source	1 Power LED
Lumen Maintenance	L90, B10>50,000hrs (Ta 25°C)
Color Consistency	1/4 ANSI BIN
Operating Temp.	32°F to +113°F
IP Rating	IP40 (IP44 available on request)

Ceiling Cut-Out: Ø 1.57"
Fixture Dimensions



ORDERING INFORMATION

Example: FR12509DEB. Accessories / Power Supplies ordered separately.

FR1250			
Model No.	CCT	Optics	Finish
FR1250	F - 2700K 5 - 3000K 9 - 4000K 0 - 5000K 1 - Blue (2200K available on request)	S - 10° M - 20° L - 40° W - 10°x45°	EB - White EC - Chrome ED - Gold ES - Satin EN - Black ECR - Custom RAL (Consult factory for "ECR")

Job Name/Date:

Fixture Type Designation:

SUGGESTED POWER SUPPLIES

500mA

Part Number	Description	Input/Output	# of Fixtures
PPLT00497	Phase Dimming (120V Only)	120VAC to 500mA, 12W, Class 2	2-6
PPLT00308-P	0-10V Dimming to 0.1%	120-277VAC to 500mA, 30W, Class 2	1-15
PPLT00467-P	0-10V Dimming to 1.0%	120-277VAC to 500mA, 50W, Class 2	1-16
PPLT00538-P	0-10V Dimming to 0.1%	120-277VAC to 500mA, 100W, Class 2	1-48

Suggested Lutron Compatible

Part Number	Option	Lutron SKU	Dim Range	Description	Input/Output	# of Fixtures
PPLT00259	L3DAE / L3DA3W	L3DA	100%-1%	Hi-Lume™ 1% EcoSystem™ or 1% 3-Wire LED Driver	120-277VAC to 500mA, 10W, Class 2	4-5
PPLT00195	L3DAE / L3DA3W	L3DA	100%-1%	Hi-Lume™ 1% EcoSystem™ or % 3-Wire LED Driver	120-277VAC to 500mA, 19W, Class 2	6-9
PPLT00180	L3DAE / L3DA3W	L3DA	100%-1%	Hi-Lume™ 1% EcoSystem™ or 1% 3-Wire LED Driver	120-277VAC to 500mA , 27W, Class 2	12-13

For other power supply options consult factory.

ACCESSORIES

Installation



WC1500

Outer Casing

For wall or ingrade use



WC1501

Outer Casing

For wall or ingrade use

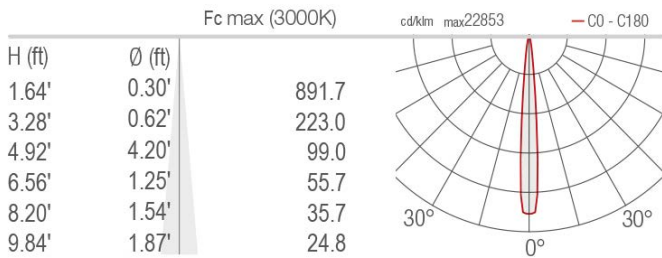
Job Name/Date:

Fixture Type Designation:

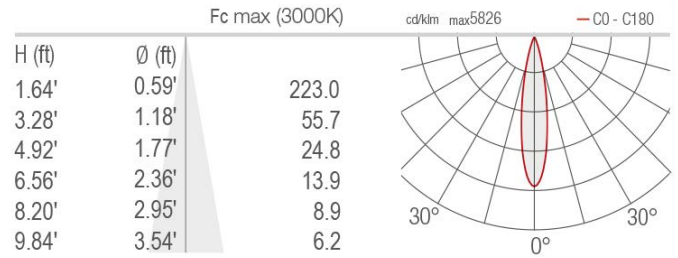
PHOTOMETRIC DATA

Note all Photometry is 3000K

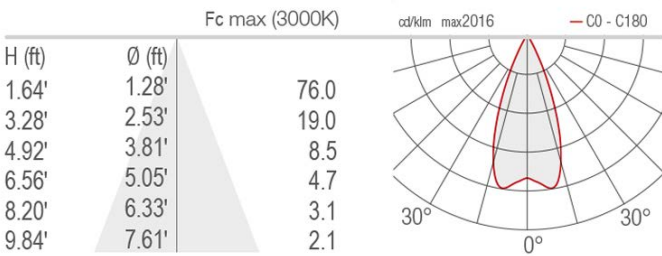
S - 10°



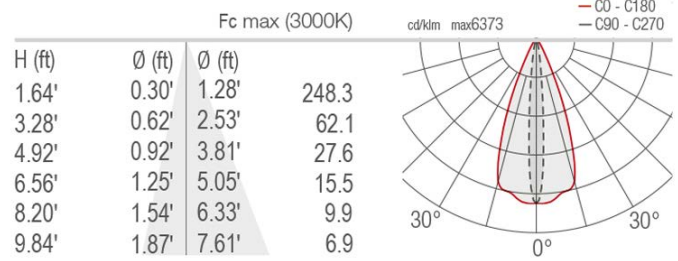
M - 20°



L - 40°



W - 10°x45°



Job Name/Date:

Fixture Type Designation: