



# Luminous galaxy.

fog

design by Landa R&D

**designplan**<sup>TM</sup> 

79 Trenton Avenue  
Frenchtown, NJ 08825

[www.designplan.com](http://www.designplan.com)

Tel: (908) 996-7710  
Fax: (908) 996-7042



# fog 80

Power of 6W, research and innovation, for a technical luminaire with a compact shape. The small ceiling version is perfect for all outdoor contexts, also thanks to the four different finishes (graphite, oxide, white and black) of the cylindrical body, made in EN 47100 die-cast aluminum. The diffused, high performance, anti-dazzle light emission is available with a color temperature of 3000K, available in color change version and other color temperatures on request. The diffuser is made of opal tempered glass, resistant in extreme conditions. Power supply is remote, with the possibility of DALI management on request.

FOG 80 | WALL RECESSED

FOG 80 | WALL LAMP

FOG 80 | CEILING RECESSED





# fog 80

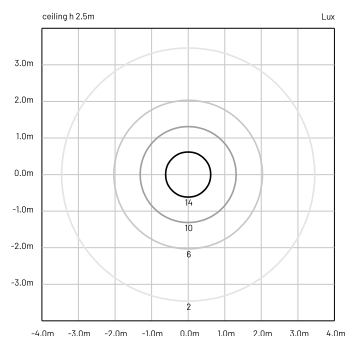
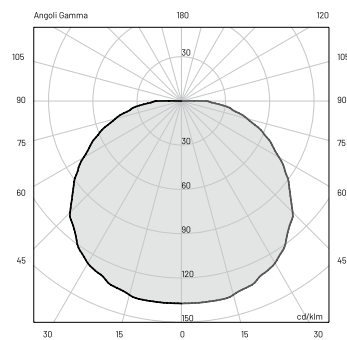
DIFFUSE

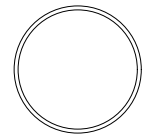
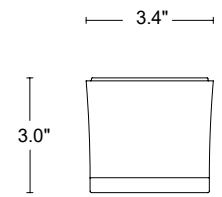
6W



## TECHNICAL SPECIFICATIONS

	DIFFUSE
Source lamp	LED 6W
Total wattage	6W
Voltage	24VDC
Control	Power supply not included
Light color	3000K • other colors on request
Delivered lumens *Source lumens	345 lm (700 lm*)
Luminous efficacy	58 lm/W
McADAM steps	3
Beam	diffuse
CRI	> 90
Lifetime	L70 > 50.000 h Ta 40°C
IP rating	IP65
IK rating	IK08





## MATERIALS

<i>Body</i>	<u>Die-cast aluminum EN47100</u>
<i>Diffuser</i>	<u>Opal glass</u>
<i>Finishing</i>	<u>Polyester powder paint</u>

## ORDER CODE

FG 5 0 POS D H B 7 Z \_

*Finishing*

<b>L</b>	Graphite	●
<b>V</b>	Oxide	●
<b>U</b>	White	○
<b>G</b>	Black	●

*Example*

FG 5 0 POS D H B 7 Z L



# fog 125

Fog 125 is aesthetic perfection and the right lighting compromise with a three-dimensional shape. Compact and ultra resistant, it is ideal for ceiling applications. The cylindrical body, made of die-cast aluminum, has a diameter of 5.12" x h 3.03" and is available in four different finishes: graphite, oxide, white and black. A diffused lighting emission with 3000K color temperature (other color temperatures and color change version on request). The opal tempered glass guarantees maximum resistance in extreme outdoor conditions.

FOG 125 | WALL RECESSED

FOG 125 | WALL LAMP

FOG 125 | CEILING RECESSED







# fog 125

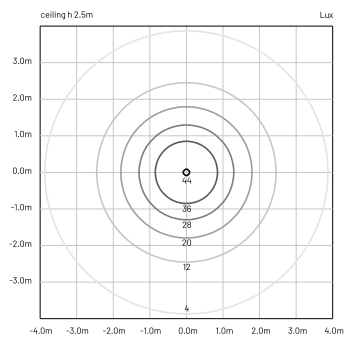
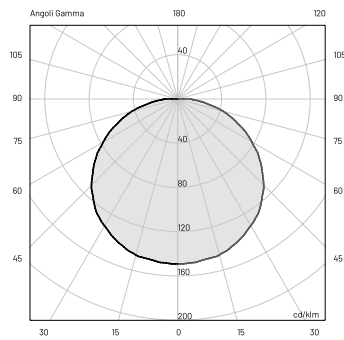
DIFFUSE

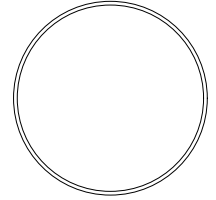
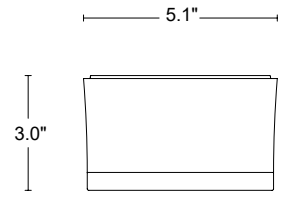
# 14.5W



## TECHNICAL SPECIFICATIONS

	DIFFUSE
Source lamp	LED 14,5W
Total wattage	17.7W
Voltage	700mA, 50-60Hz
Control	Power supply not included
Light color	3000K • other colors on request
Delivered lumens *Source lumens	950 lm (1850 lm*)
Luminous efficacy	54 lm/W
McADAM steps	3
Beam	diffuse
CRI	> 90
Lifetime	L70 > 50.000 h Ta 40°C
IP rating	IP65
IK rating	IK08





## MATERIALS

<i>Body</i>	<u>Die-cast aluminum EN47100</u>
<i>Diffuser</i>	<u>Opal glass</u>
<i>Finishing</i>	<u>Polyester powder paint</u>

## ORDER CODE

FG 6 0 POS D HBBZ \_

└── *Finishing*

<b>L</b>	Graphite	●
<b>V</b>	Oxide	●
<b>U</b>	White	○
<b>G</b>	Black	●

*Example*

FG 6 0 POS D HBBZ L







# fog 200

The diffused light of the Fog 200 ceiling luminaire is homogeneous and uniform thanks to an extra resistant tempered glass diffuser. The "large" of the Fog range is powerful and guarantees high lighting performance. The die-cast aluminum body with a powder-coated finish in white, oxide, graphite and black versions, has a diameter of 7.87" and measures a height of 3.03". The power supply is integrated, with the possibility of DALI management on request; the color temperature is 3000K, other color temperatures and color change version available on request.

FOG 200 | WALL RECESSED

FOG 200 | WALL LAMP

FOG 200 | CEILING RECESSED





# fog 200

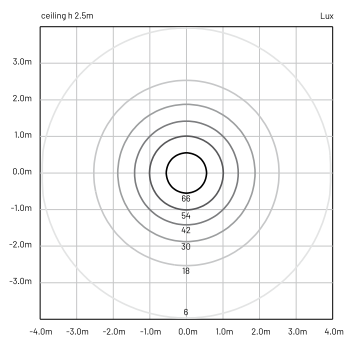
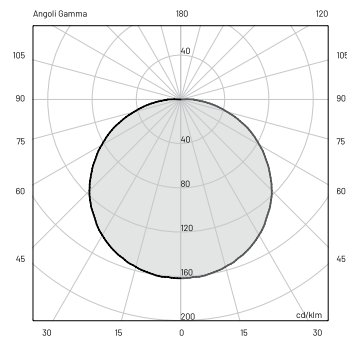
DIFFUSE

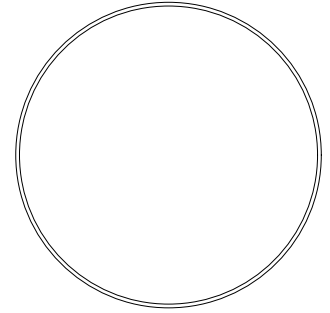
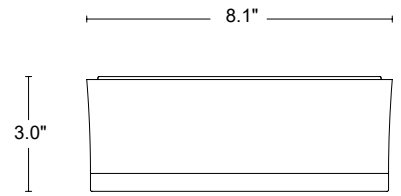
# 22.4W



## TECHNICAL SPECIFICATIONS

	DIFFUSE
Source lamp	LED 22.4W
Total wattage	27W
Voltage	1050mA, 50-60Hz
Control	Power supply not included
Light color	3000K • other colors on request
Delivered lumens	1500 lm (2800 lm*)
*Source lumens	
Luminous efficacy	56 lm/W
McADAM steps	3
Beam	diffuse
CRI	> 90
Lifetime	L70 > 50.000 h Ta 40°C
IP rating	IP65
IK rating	IK08





## MATERIALS

Body	Die-cast aluminum EN47100
Diffuser	Opal glass
Finishing	Polyester powder paint

## ORDER CODE

FG 8 0 POS D HBDZ \_

Finishing

L	Graphite	●
V	Oxide	●
U	White	○
G	Black	●

Example

FG 8 0 POS D HBDZ L

