

FOG 80 • FOG 125 • FOG 200

Surface Wall

FOG is an outdoor ceiling or wall fixture that comes in a recessed or surface-mounted versions with 3 diameter sizes each offering resistance and longevity. The FOG surface-mounted wall version has cylindrical body and comes in 4 different finishes with diffuse optics.



Fixture Dimensions - see page 2

TECHNICAL DATA

Wattage	6W, 14.5W, 22W
Power Supply	Remote 24VDC (FOG 80) - See page 3 Remote 700mA (FOG 125), 1050mA (FOG 200)
Construction	Body: Die-Cast Aluminum Lens: Opal Tempered Glass
CCT	3000K (other colors on request)
BUG Rating	B0-U1-G0 (FOG 80) B1-U1-G1 (FOG 125, FOG 200)
CRI	>90
Delivered Lumens	345 lm (FOG 80) 950 lm (FOG 125) 1500 lm (FOG 200)
Efficacy	58 lm/W (FOG 80) 54 lm/W (FOG 125) 56 lm/W (FOG 200)
Optics	Diffuse
Finishes	5 Standard, See Below
Fixture Dimensions	Ø3.39" x 3.03" (FOG 80) Ø5.12" x 3.03" (FOG 125) Ø8.07" x 3.03" (FOG 200)
Lumen Maintenance	L70 >50,000hrs (Ta 40°C)
Color Consistency	3-Step MacAdam
IP Rating	IP65
Impact Resistance	IK08

ORDERING INFORMATION

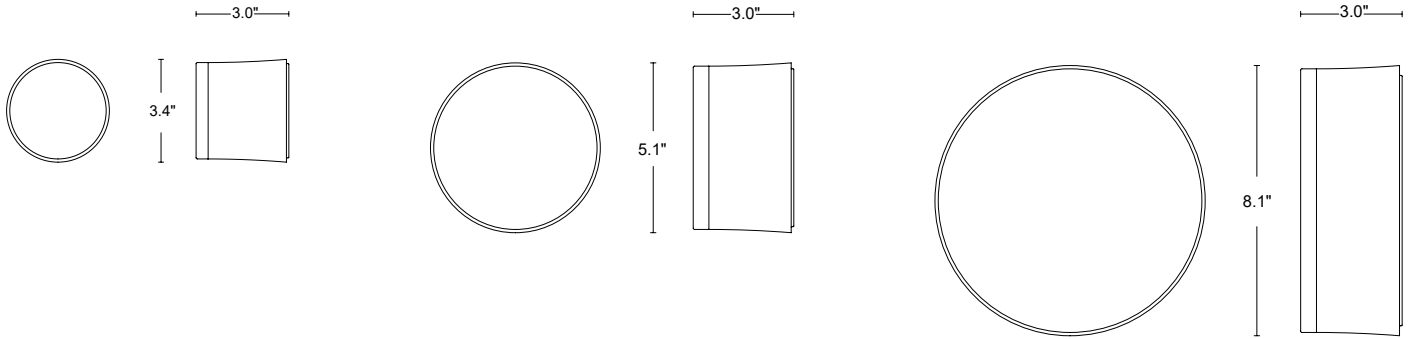
Example: LNFG60POSDHB10L.US. Power Supplies / Accessories ordered separately.

LNFG		D			US
Model No.	Size	Optics	Power	Finish	
LNFG	50 POS - FOG 80 60 POS - FOG 125 80 POS - FOG 200	D - Diffuse	HB7Z - Remote Driver (FOG 80) HBBZ - Remote Driver (FOG 125) HBDZ - Remote Driver (FOG 200)	L - Graphite V - Oxide U - White G - Black H - Gray	US

Job Name/Date:

Fixture Type Designation:

FIXTURE DIMENSIONS



Job Name/Date:

Fixture Type Designation:

SUGGESTED POWER SUPPLIES

24VDC - FOG 80 (6W)

Part Number	Description	Input/Output	# of Fixtures
PPLT00149	Non-Dim	120VAC to 24VDC, 10W, Class 2, IP65	1-1
PPLT00632	0-10V Dimming (Dim to Off)	120-277VAC to 24VDC, 12W, Class 2	1-1
PPLT00155	Non-Dim	120VAC to 24VDC, 30W, Class 2	1-4
PPLT00599	ELV / TRIAC & 0-10V Dimming (100 to 0%)	120-277VAC to 24VDC, 96W, Class 2	1-12
PPLT00158	Non-Dim	120VAC to 24VDC, 100W, Class 2	1-13
PPLT00543	0-10V Dimming to 15% (-40°C / -40°F cold weather start)	120-277VAC to 24VDC, 100W, Class 2	2-13

Suggested Lutron Compatible - FOG 80 (6W)

Part Number	Option	Lutron SKU	Dim Range	Description	Input/Output	# of Fixtures
PPLT00273	L3DAE / L3DA3W	L3DA	100%-1%	Hi-Lume™ 1% EcoSystem™ or 1% 3-Wire LED Driver	120-277VAC to 24VDC, 40W, Class 2	1-5

700mA - FOG 125 (14.5W)

Part Number	Description	Input/Output	# of Fixtures
PPLT00465-P	0-10V Dimming to 1.0%	120-277VAC to 700mA, 20W, Class 2, DAMP	1-1
PPLT00308-P	0-10V Dimming to 0.1%	120-277VAC to 700mA, 30W, Class 2, DAMP	1-2
PPLT00538-P	0-10V Dimming to 0.1% (4 channels)	120-277VAC to 700mA, 100W, Class 2	1-1 (1-4)

Suggested Lutron Compatible - FOG 125 (14.5W)

Part Number	Option	Lutron SKU	Dim Range	Description	Input/Output	# of Fixtures
PPLT00517	L3DAE / L3DA3W	L3DA	100%-1%	Hi-Lume™ 1% EcoSystem™ or 1% 3-Wire LED Driver	120-277VAC to 700mA, 27W, Class 2	1-1
PPLT00181	L3DAE / L3DA3W	L3DA	100%-1%	Hi-Lume™ 1% EcoSystem™ or 1% 3-Wire LED Driver	120-277VAC to 700mA, 38W, Class 2	2-2

1050mA - FOG 200 (22W)

Part Number	Description	Input/Output	# of Fixtures
PPLT00308-P	0-10V Dimming to 0.1%	120-277VAC to 1050mA, 30W, Class 2, DAMP	1-1
PPLT00467-P	0-10V Dimming to 1.0%	120-277VAC to 1050mA, 50W, Class 2, DAMP	1-2
PPLT00538-P	0-10V Dimming to 0.1% (4 channels)	120-277VAC to 1050mA, 100W, Class 2	1-1 (1-4)

Suggested Lutron Compatible - FOG 200 (22W)

Part Number	Option	Lutron SKU	Dim Range	Description	Input/Output	# of Fixtures
PPLT00621	L3DAE / L3DA3W	L3DA	100%-1%	Hi-Lume™ 1% EcoSystem™ or 1% 3-Wire LED Driver	120-277VAC to 1050mA, 40W, Class 2	1-1

For other power supply options consult factory.

Job Name/Date:

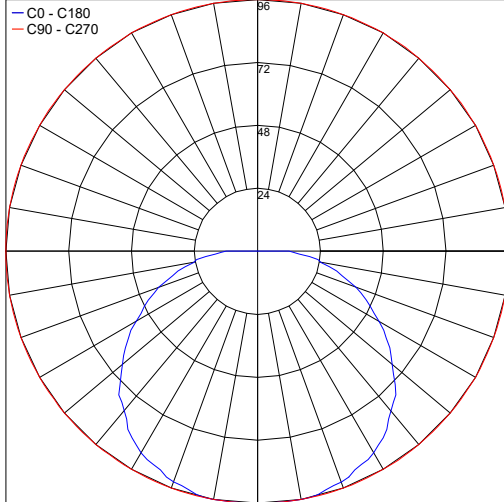
Fixture Type Designation:

PHOTOMETRIC DATA

Note: All photometric data is 3000K

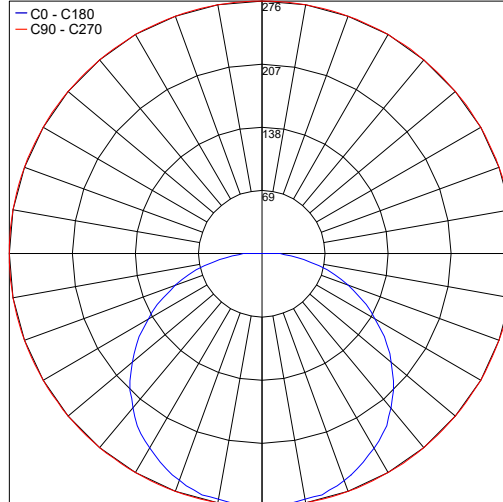
FOG 80

Maximum Candela = 96



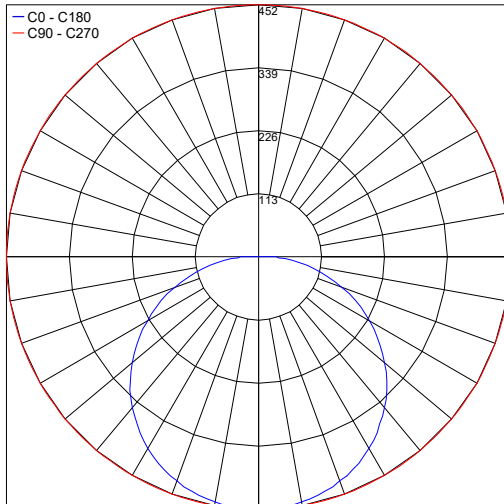
FOG 125

Maximum Candela = 275.7



FOG 200

Maximum Candela = 452.4



Job Name/Date:

Fixture Type Designation: