

Luminous galaxy.



fog

design by Landa R&D

designplanTM 

79 Trenton Avenue
Frenchtown, NJ 08825

www.designplan.com

Tel: (908) 996-7710
Fax: (908) 996-7042



fog 80

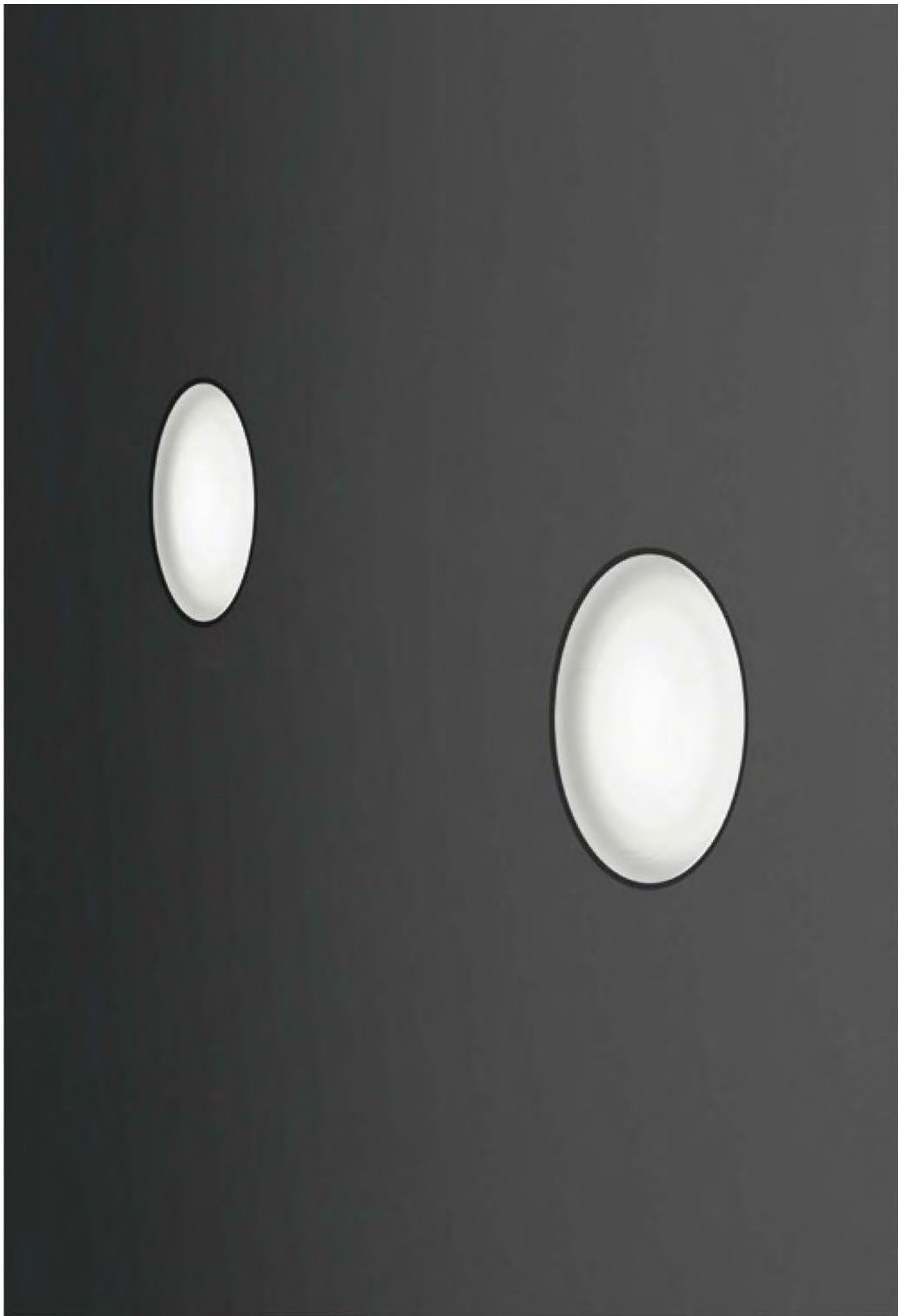
Fog 80, compact and versatile, has a diameter of 3.15" and is the ideal solution for recessed wall applications through the use of a special recessed box, offering the possibility of protruding/recessed ($\pm 0.39"$) application or flush mounting using the fixture kit. With a power of 6W, the luminaire is supplied as standard with 3000K color temperature with possibility of alternative in the color change version on request. The diffused light of Fog 80 is emitted by a light source in LED technology; the tempered extra resistant opal glass guarantees uniform illumination and an always optimal performance. The body is in die-cast aluminum with white powder-coated finish. Power supply is remote, with the possibility of DALI management on request, so as to make application of the outdoor product easy to manage in any context.

FOG 80 | WALL LAMP

FOG 80 | CEILING RECESSED

FOG 80 | CEILING LAMP





fog 80

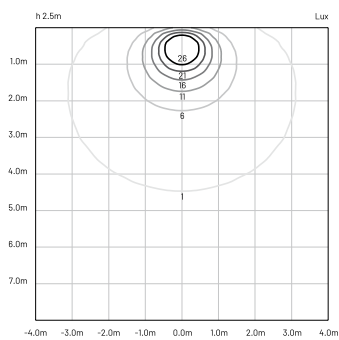
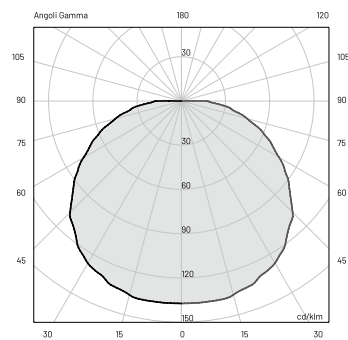
DIFFUSE

6W




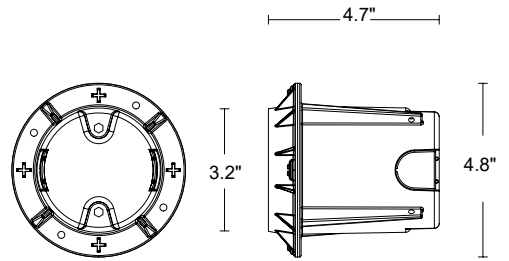
TECHNICAL SPECIFICATIONS

	DIFFUSE
Source lamp	LED 6W
Total wattage	6W
Voltage	24VDC
Control	Power supply not included
Light color	3000K • other colors on request
Delivered lumens *Source lumens	345 lm (700 lm*)
Luminous efficacy	58 lm/W
McADAM steps	3
Beam	diffuse
CRI	> 90
Lifetime	L70 > 50.000 h Ta 40°C
IP rating	IP65
IK rating	IK08



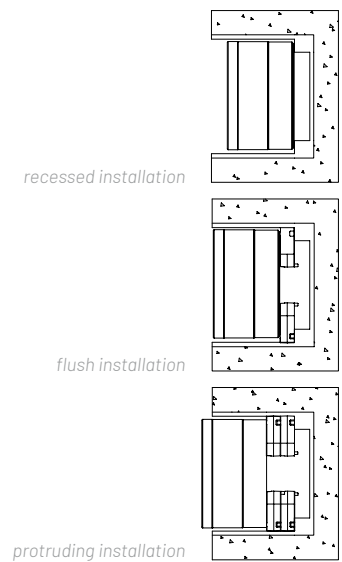
MATERIALS

Body	Die-cast aluminum EN47100
Diffuser	Opal glass
Finishing	White polyester powder paint 



ORDER CODE

FG 5 0 ISO DH B 7 Z U



INCLUDED ACCESSORIES

Code	Description
-	Housing box

AVAILABLE ACCESSORIES

Code	Description
00KEY50	Levelling kit
010829600000	Plastering rim
0303003	Suction cup to screw the glass



fog 125

Fog 125 is a luminaire available for recessed wall applications with body with a 4.92" diameter, made in die-cast aluminum EN 47100 with white powder-coated finish. The medium sized version of the Fog family has a power of 14.5W and guarantees resistance and longevity, essential features for the whole recessed range. The luminaire is the ideal choice for every outdoor technical-lighting requirement thanks to the three possible installation options: recessed (0.39" inside the recessed box), flush mounted and protruding (+ 0.39" from the recessed box).

The light emission, thanks to the opal glass, is always performing; a diffused light with 3000K color temperature. Possibility of alternative in the color change version on request.

EN_

FOG 125 | WALL LAMP

FOG 125 | CEILING RECESSED

FOG 125 | CEILING LAMP





fog 125

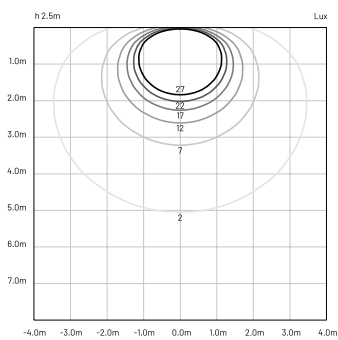
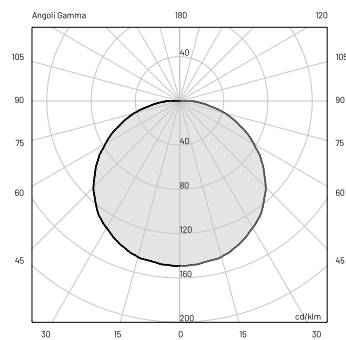
DIFFUSE

| 14.5W




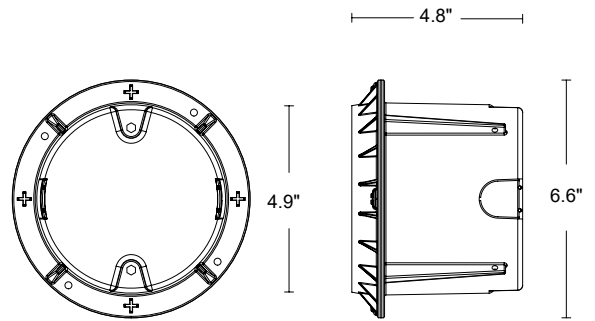
TECHNICAL SPECIFICATIONS

	DIFFUSE
Source lamp	LED 14,5W
Total wattage	17.7W
Voltage	700mA, 50-60Hz
Control	Power supply not included
Light color	3000K • other colors on request
Delivered lumens *Source lumens	950 lm (1850 lm*)
Luminous efficacy	54 lm/W
McADAM steps	3
Beam	diffuse
CRI	> 90
Lifetime	L70 > 50.000 h Ta 40°C
IP rating	IP65
IK rating	IK08



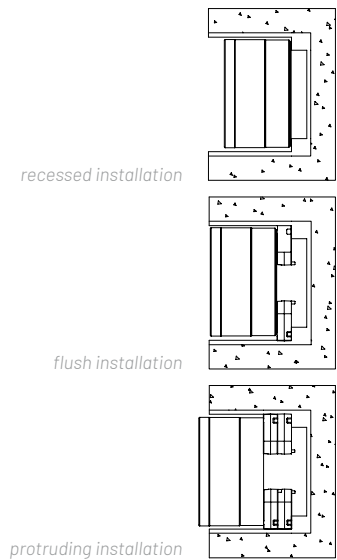
MATERIALS

Body	Die-cast aluminum EN47100
Diffuser	Opal glass
Finishing	White polyester powder paint 



ORDER CODE

FG 6 0 ISO D H B 10 U



INCLUDED ACCESSORIES

Code	Description
-	Housing box

AVAILABLE ACCESSORIES

Code	Description
00KEY60	Levelling kit
010829700000	Plastering rim
0303004	Suction cup to screw the glass



fog 200

The diffused light of Fog 200, recessed wall luminaire, is emitted from a LED technology source. The diffuser in tempered opal glass is ultra-resistant. The luminaire is long-lasting, with a power of 22.4W, and guarantees high lighting performance. The recessed version offers three different mounting possibilities (protruding/recessed $\pm 0.39"$ and flush with the recessed box). The body in die-cast aluminum with white powder-coated finish has a diameter of 7.87", with a recessed depth of 4.72". Power supply is integrated, with the possibility of DALI management on request; the color temperature is 3000K, with possibility of alternative in the color change version on request.

FOG 200 | WALL LAMP

FOG 200 | CEILING RECESSED

FOG 200 | CEILING LAMP





fog 200

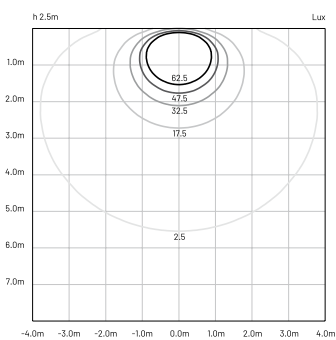
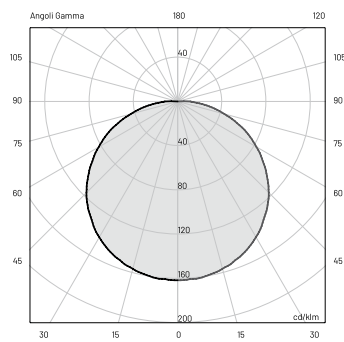
DIFFUSE

22.4W



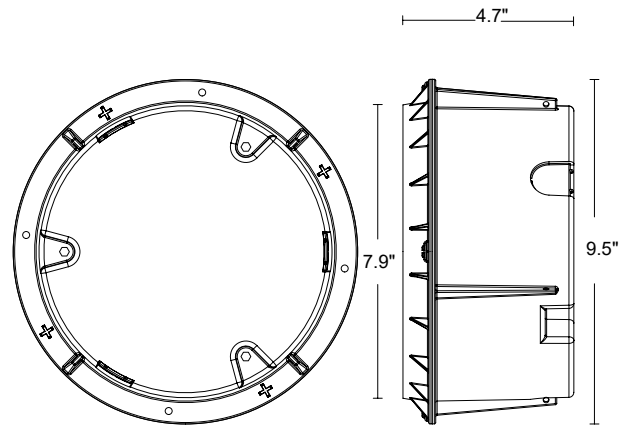
TECHNICAL SPECIFICATIONS

	DIFFUSE
Source lamp	LED 22.4W
Total wattage	27W
Voltage	1050mA, 50-60Hz
Control	Power supply not included
Light color	3000K • other colors on request
Delivered lumens *Source lumens	1500 lm (2800 lm*)
Luminous efficacy	56 lm/W
McADAM steps	3
Beam	diffuse
CRI	> 90
Lifetime	L70 > 50.000 h Ta 40°C
IP rating	IP65
IK rating	IK08



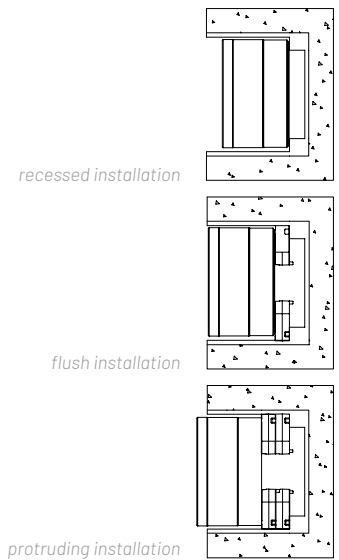
MATERIALS

Body	Die-cast aluminum EN47100
Diffuser	Opal glass
Finishing	White polyester powder paint



ORDER CODE

FG 8 0 ISO DH B 10 U



INCLUDED ACCESSORIES

Code	Description
-	Housing box

AVAILABLE ACCESSORIES

Code	Description
00KEY80	Levelling kit
010829800000	Plastering rim
0303004	Suction cup to screw the glass

