



**INSTRUCTIONS PERTAINING TO RISK OF FIRE OR INJURY TO PERSONS. READ ALL INSTRUCTIONS. IMPORTANT SAFETY INSTRUCTIONS. SAVE THESE INSTRUCTIONS.**

**DANGER - RISK OF SHOCK - DISCONNECT POWER BEFORE INSTALLATION! Please read all instructions before installation.**

- Keep these instructions for future reference.
- Must be installed by a qualified electrician in accordance with national and local standards. Designplan is not responsible for fixtures installed without regard to these standards.
- Unauthorized alterations or tampering of product voids warranty.
- The main power connection must be in accordance with local electrical codes.
- Suitable for INDOOR applications.
- DO NOT INSTALL INSULATION WITHIN 3.0" (76 mm) OF ANY PART OF THE LUMINAIRE.



XL50 SHOWN

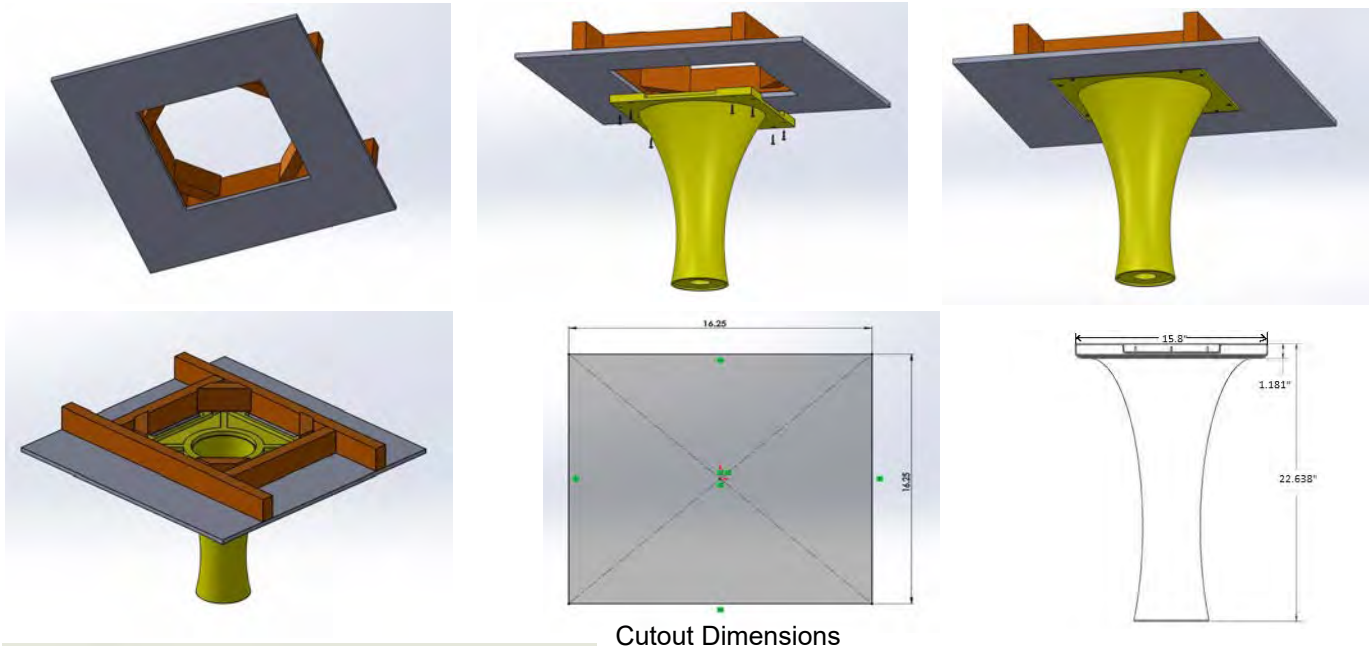
## Electrical Connections:

- LED lights must be **connected in series** respecting polarities.
- **CHOOSE POWER SUPPLY ACCORDINGLY.** Please consider the voltage through which fixtures are fed as well as the max power consumption.
- **Connect power only if all fixtures are connected.**
- The power supplies **MUST** be installed in aerated rooms, far from heat sources. Overworking or lack of air circulation will not permit natural dissipation.
- The electronic power supply is current-stable, therefore it partially compensates the voltage-drop problems related to the cable length; we suggest not to exceed 100 ft.
- Use only Class 2 type electronic power supply.
- Never use switches on secondary circuit.

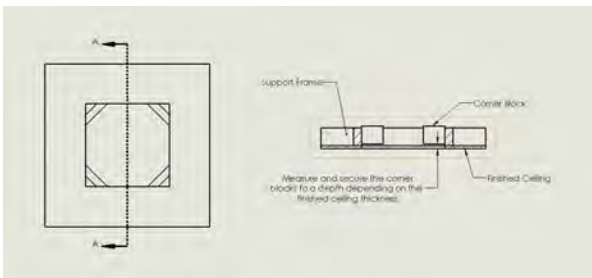
## Maintenance

Scheduled maintenance must be carried out once a year on all lighting devices, regardless of appliance class and type of use. It must include the following operations:

- Periodically clean fixtures to remove dirt from gratings and screw heads.
- Check tightness of screws on various parts of the device.
- Check that all cable glands and cables are intact and tight. Check that the glass or plastic lens is intact, and replace it if broken or damaged.
- The internal components such as the ballast, driver, washers and screws must not show clear signs of oxidation or rust. Clear traces of rust and oxidation will indicate the presence of water inside the device.
- In the case of damage, the components must be replaced by original components or spare parts.



Cutout Dimensions



**NOTE:** Fusion fixture is very heavy and requires special support frame (by others) as per this installation instruction. **Final fixture installation may require more than two people.** It is the contractor's responsibility to install Remote Driver in a suitable electrical enclosure.

### Fixture Installation

1. Mark the ceiling at the desired location and make a 16 1/4" x 16 1/4" cutout.
2. Install framing studs at all 4 sides of the cutout as shown.
3. Determine the depth location of the corner blocks and install blocks in all corners.
4. Depth of the corner blocks depends on thickness of the finished ceiling.
5. Fixture body should be flush with finished ceiling.
6. **This step requires minimum of 2 people!** Raise the fixture body and place it into the framed cutout.
7. Install support screws in all corners of the fixture body and make sure the fixture is secured in place.
8. To finish the installation, use plaster or joint compound with tape to blend seamlessly the fixture body into the finished ceiling.

### LED Module Installation



1. Remove the threaded ring from the fixture.
2. Place the LED module into the holder.
3. Reinstall the threaded ring to support the LED module.

# FUSION XL 50, S50

Images below represent typical installation process  
Same steps apply for S50

installation instructions

