

# FLASH POLE MEGA

Flash Pole is a round pole-mounted floodlight for outdoor installation on a pole with a diameter of 2.36" or 2.99" (pole by others). It is available in a single or double installation with various optics and 3 standard finishes.

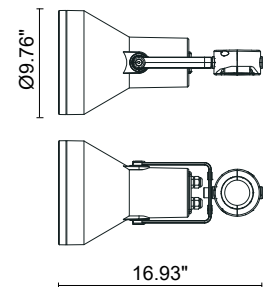


## TECHNICAL DATA

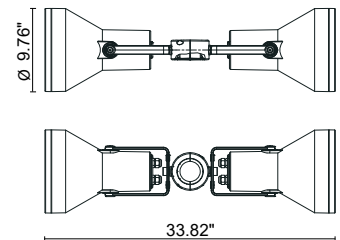
<b>Wattage / Input</b>	Single: 22W (120VAC) Double: 2 x 22W (120VAC)
<b>Power Supply</b>	Integral
<b>Construction</b>	Body: Die-Cast Copper-Free Aluminum Lens: Tempered Safety Glass Cable Length: 9.84'
<b>CCT</b>	3000K, 4000K
<b>BUG Rating</b>	B0-U5-G0 (45°)
<b>Delivered Lumens</b>	2160 lm (3000K, 10°)
<b>Efficacy</b>	98.2 lm/W (3000K, 10°)
<b>Optics</b>	3 Standard, See Below
<b>Finishes</b>	Textured Gray, Anthracite Gray, Matte Black (on request)
<b>*Fixture Dimensions</b>	Ø9.76" x 16.93" l
<b>Fixture Weight</b>	Single: 12.1 lbs Double: 23.1 lbs
<b>LED Source</b>	15 CREE "XP-G2" High Power LEDs
<b>IP Rating</b>	IP65
<b>IK Rating</b>	IK09

Fixture Dimensions

SINGLE FLASH POLE



DOUBLE FLASH POLE



## ORDERING INFORMATION

Example: 805009P-30K-30-MB

<b>Model No.</b>	<b>CCT</b>	<b>Optics</b>	<b>Finish</b>
805009P - single	30K - 3000K	10 - 10°	TG - Textured Gray
805011P - double	40K - 4000K	30 - 30°	AG - Anthracite Gray
		45 - 45°	MB - Matte Black (on request)

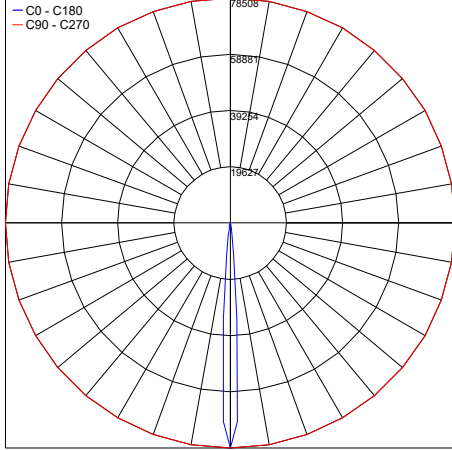
Job Name/Date:

Fixture Type Designation:

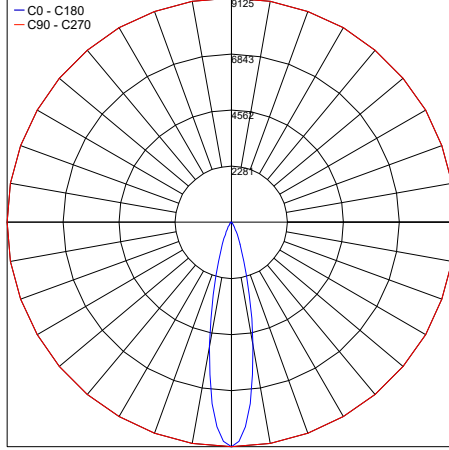
## PHOTOMETRIC DATA

Note: All photometry is 3000K

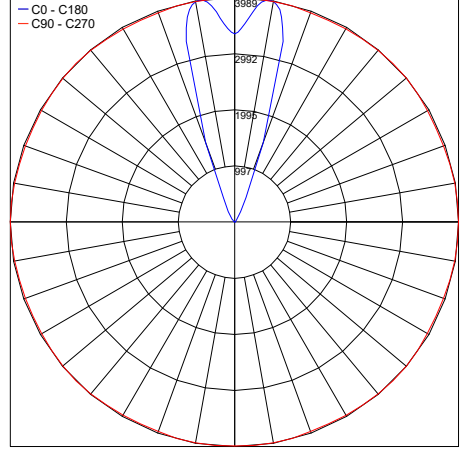
Maximum Candela = 78507.5



Maximum Candela = 9124.5



Maximum Candela = 3989.4



Job Name/Date:

Fixture Type Designation: