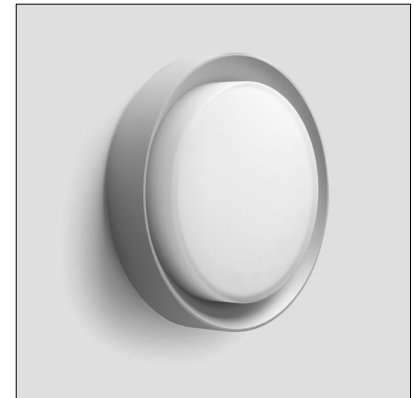


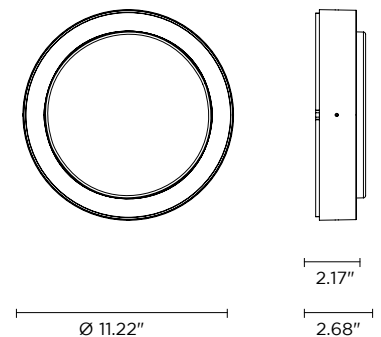
FRAME MAXI ROUND

Frame Maxi Round is a 11.2" round, surface mounted luminaire that is suitable for outdoor installation on a façade/wall. It is available in 2 color temperatures, diffused optics and 3 standard finishes.



ADA Compliant

Fixture Dimensions:



TECHNICAL DATA

Wattage / Input	20W (700mA)
Power Supply	Remote, not included. See page 2.
Construction	Body: Extruded Copper-free Aluminum Lens: Tempered Glass Diffuser - White Painted Internally Cable Length: 0.98' included
CCT	3000K, 4000K
BUG Rating	B1-U2-G1
Delivered Lumens	1010 lm (3000K)
Efficacy	50.5 lm/W
Optics	Diffused
Finishes	Textured Gray, Anthracite Gray, Matte Black
Fixture Dimensions	Ø11.2" x 2.7"
Fixture Weight	9.26 lbs
LED Source	48 Mid-Power SAMSUNG 2835 LED
IP Rating	IP65
IK Rating	IK09

ORDERING INFORMATION

Example: 402803P-30K-DIF-TG. Power Supplies ordered separately.

402803P	-		-	DIF	
Model No.	CCT	Optics	Finish		
402803P	30K - 3000K 40K - 4000K	DIF - Diffuse	TG - Textured Gray AG - Anthracite Gray MB - Matte Black		
402803EMP	OPTIONAL VERSION WITH 3H EMERGENCY - on request				

Job Name/Date:

Fixture Type Designation:

SUGGESTED POWER SUPPLIES

700mA

Part Number	Description	Input/Output	# of Fixtures
PPLT00465-P	0-10V Dimming to 1.0%	120-277VAC to 700mA, 20W, Class 2, DAMP	1-1
PPLT00308-P	0-10V Dimming to 0.1%	120-277VAC to 700mA, 30W, Class 2, DAMP	1-1
PPLT00309-P	0-10V Dimming to 0.1%	120-277VAC to 700mA, 50W, Class 2	1-1
PPLT00538-P	0-10V Dimming to 0.1%	120-277VAC to 700mA, 100W, Class 2	1-4

Suggested Lutron Compatible

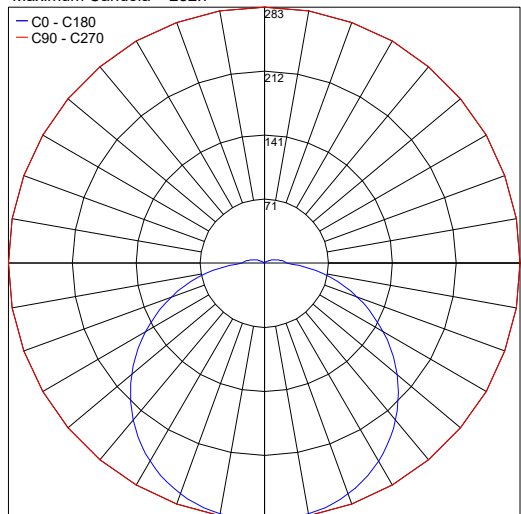
Part Number	Option	Lutron SKU	Dim Range	Description	Input/Output	# of Fixtures
PPLT00181	L3DAE / L3DA3W	L3DA	100%-1%	Hi-Lume™ 1% EcoSystem™ or 1% 3-Wire LED Driver	120-277VAC to 700mA, 38W, Class 2	1-1

For other power supply options consult factory.

PHOTOMETRIC DATA

Note: All photometry is 3000K

Maximum Candela = 282.7



PHOTOMETRIC FILENAME : FRAME MAXI RD. 30K DIF 402803PIES

Job Name/Date:

Fixture Type Designation: