

Recessed

GENIUS CONCRETE



INTEGRATED LIGHT IN EXPOSED CEMENT.

Genius Concrete is the most revolutionary version of the Genius line: a totally recessed indoor luminaire, designed for exposed cement surfaces and installable during the concrete casting phase.

It maintains all the performances of the Genius, but has a simplified lamp body which functions as formwork, with the electrical part removable from the light hole, thanks to a new patent which allows the LED light source to be pulled out and replaced.

The only visible aperture is the 0.90" (23 mm) outlet, so there is no need for any inspection hatch, and it can be installed with a minimum concrete cover of 0.47" (12 mm).

designplan®

79 Trenton Avenue
Frenchtown, NJ 08825

www.designplan.com

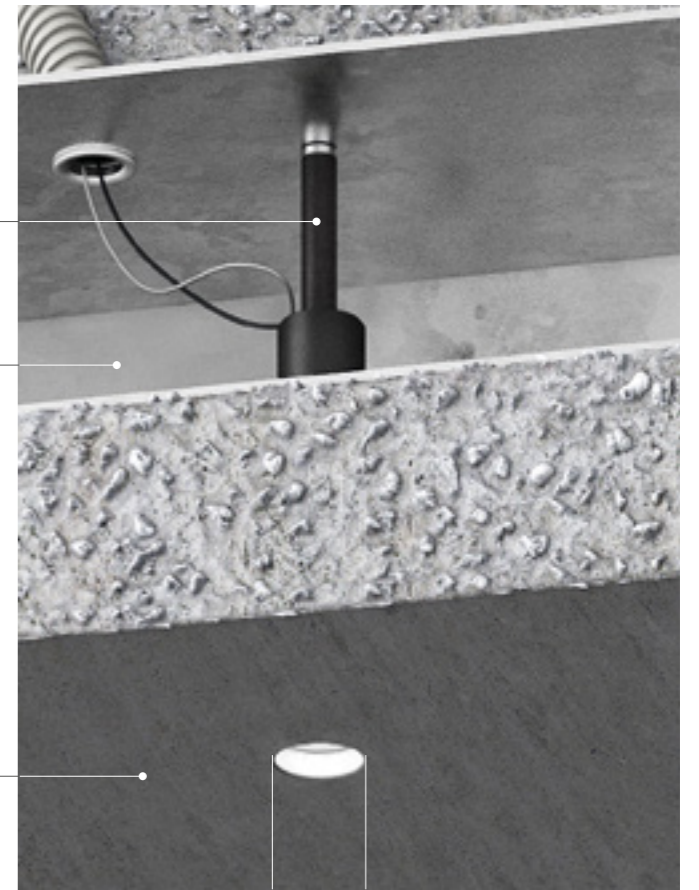
Tel: (908) 996-7710
Fax: (908) 996-7042

INSTALLABLE DURING THE CONCRETE CASTING PHASE

magnetic holder

disposable box

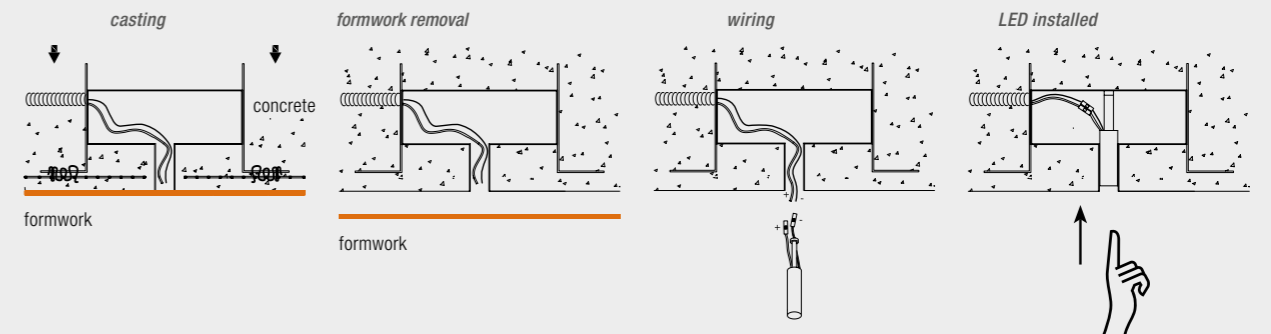
maximum integrability with
the surface (exposed cement)



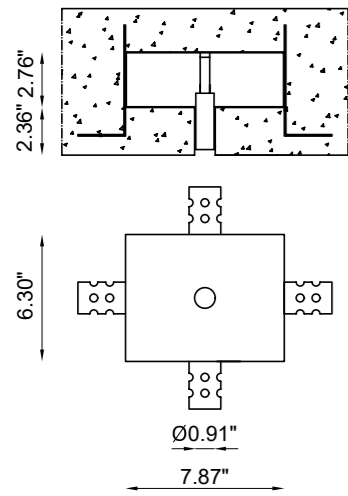
0.9"

the only visible part is the emission
hole of 0.9" (23 mm)

INSTALLATION



Genius Concrete can be installed during the concrete casting phase. Thanks to a special mechanism which allows the LED source to be extracted, no inspection hatches are required for maintenance purposes.



CODE COMPOSITION

BU1075 BL 4 R 22 M _WD

light color	
27	2700K
30	3000K
40	4000K

example of code composition BU1075 BL 4 R 22 M 30 WD

TECHNICAL FEATURES

Code	BU1075 XX
Type	Downlight 90°
Material	Aluminum
Finishing	Black
Weight	0.88 lbs
Mounting	Ceiling recessed
IP rating	IP40
Control gear	Remote constant current electronic driver (not included)
Cut out for plasterboard	-
Lamp type	LED 500 mA Vf: 11.5 VDC
Lamp wattage	1 x 6W
Luminous efficacy	600 lm - 3000K
Light distribution	Beam 22°
Fitting	-
Light colour	White 3000K White 2700K 4000K (on request)
Voltage connection	By driver (optional)
CRI	>90



SUPERFUTUREDESIGN®