

GENIUS CURVE



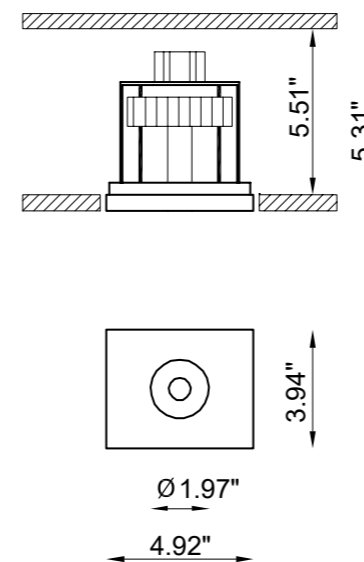
Genius' volumes become softer, giving birth to Genius Curve, a total recessed indoor luminaire made of AirCoral® and installable on plasterboard or brick ceilings. Its perfect circular form allows a higher level of decorative potential: light scatters uniformly in the environment, elegantly sliding on the round emission hole. Form, light and technique meet and combine, giving great plasticity to the ceiling and guaranteeing an unrepeatable visual experience. The electrical part can be extracted directly from the emission hole with a simple hand gesture. This is possible thanks to the push-pull mechanism, which facilitates the eventual extraction and replacing of the LED source in case of maintaining.

designplan® 



79 Trenton Avenue
Frenchtown, NJ 08825

www.designplan.com

Tel: (908) 996-7710
Fax: (908) 996-7042



TECHNICAL FEATURES

Code	BU1891.AC.US
Type	Downlight 90° 
Material	AC: AirCoral®
Absorption capacity*	14.96 ft ²
Weight	1.76 lbs
Mounting	Ceiling recessed
IP rating	IP20
Control gear	Remote constant current electronic driver (not included)
Cut out for plasterboard	5.31" x 4.33"
Lamp type	LED 700 mA 
Lamp wattage	1 x 8.5W
Luminous efficacy	71.2 lm/W - 3000K
Light distribution	Wide beam 40°
Light color	White 3000K
Light hole	Ø 0.79"
CRI	>90

* The absorption capacity per ft³ calculated by the American organization TCNA (Tile Council of North America) is measured for an average room of 8.86' in height and therefore expressed in ft²