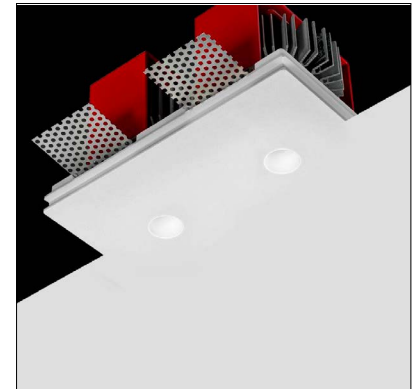


Genius Twin is a recessed LED downlight made of AirCoral® with a double aperture each less than 1.0" in diameter - which totally disappears when the light is off. It is suitable for installation on plasterboard or brick ceilings and has a 40° optic.



TECHNICAL DATA

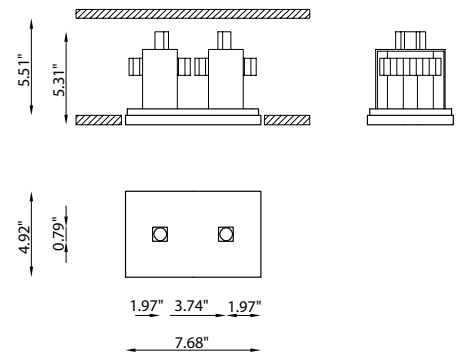
Wattage / Input	2 x 8.5W (700mA)
Power Supply	Remote, not included. See page 2.
Construction	Body: AirCoral®
CCT	3000K
CRI	>80
Delivered Lumens	606 lm per beam (3000K)
Efficacy	71.2 lm/W per beam
Optics	40°
Finishes	AirCoral® - unfinished
Fixture Dimensions	7.68" l x 4.92" w x 5.31" h
Cut-out Dimension	8.07" x 5.31"
Aperature	Ø0.79"
Fixture Weight	4.41 lbs
IP Rating	IP20

The body is made of Aircoral® a unique patented composite material that actually purifies the air. It can be calculated how many cubic feet each fixture will purify. See website for Aircoral® calculator.

Additionally, Aircoral® is:

- Antibacterial.
- Antifungal.
- Scratch-resistant.
- Dust-resistant.
- Suitable for painting.
- LEED recognized material.

Fixture Dimensions



ORDERING INFORMATION

Example: BU1852.AC.US. Power Supplies ordered separately.

BU1852	AC	US
Model No.	Finish	
BU1852	AC - AirCoral®	US

Job Name/Date:

Fixture Type Designation:

SUGGESTED POWER SUPPLIES

700mA

Part Number	Description	Input/Output	# of Fixtures
PPLT00465-P	0-10V Dimming to 1.0%	120-277VAC to 700mA, 20W, Class 2	1-1
PPLT00215	0-10V Dimming to 10%	120-277VAC to 700mA, 30W, Class 2	1-1
PPLT00467-P	0-10V Dimming to 1.0%	120-277VAC to 700mA, 50W, Class 2	1-2
PPLT00538-P	0-10V Dimming to 0.1%	120-277VAC to 700mA, 100W, Class 2	1-4

Suggested Lutron Compatible

Part Number	Option	Lutron SKU	Dim Range	Description	Input/Output	# of Fixtures
PPLT00517	L3DAE / L3DA3W	L3DA	100%-1%	Hi-Lume™ 1% EcoSystem™ or 1% 3-Wire LED Driver	120-277VAC to 700mA, 27W, Class 2	1-1
PPLT00181	L3DAE / L3DA3W	L3DA	100%-1%	Hi-Lume™ 1% EcoSystem™ or 1% 3-Wire LED Driver	120-277VAC to 700mA , 38W, Class 2	2-2

For other power supply options consult factory.

Job Name/Date:

Fixture Type Designation: