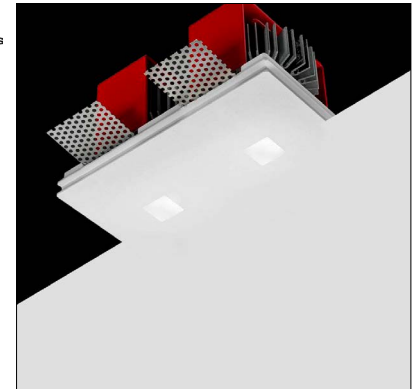


# GENIUS TWIN SQUARE

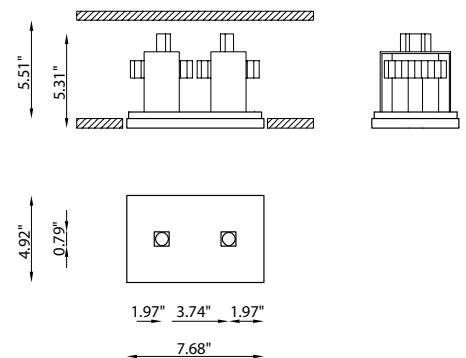
Genius Twin Square is a rectangular recessed LED downlight made of AirCoral® with a double aperture each less than 1.0" x 1.0". It is suitable for installation on plasterboard or brick ceilings and has a 40° optic.



## TECHNICAL DATA

<b>Wattage / Input</b>	2 x 8.5W (700mA)
<b>Power Supply</b>	Remote, not included. See page 2.
<b>Construction</b>	Body: AirCoral®
<b>CCT</b>	3000K
<b>CRI</b>	>80
<b>Delivered Lumens</b>	606 lm per beam (3000K)
<b>Efficacy</b>	71.2 lm/W per beam
<b>Optics</b>	40°
<b>Finishes</b>	AirCoral® - unfinished
<b>Fixture Dimensions</b>	7.68" l x 4.92" w x 5.31" h
<b>Cut-out Dimension</b>	8.07" x 5.31"
<b>Aperature</b>	0.79" x 0.79"
<b>Fixture Weight</b>	4.41 lbs
<b>IP Rating</b>	IP20

Fixture Dimensions



The body is made of AirCoral® a unique patented composite material that actually purifies the air. It can be calculated how many cubic feet each fixture will purify. See website for AirCoral® calculator.

- Additionally, AirCoral® is:
- Antibacterial.
  - Antifungal.
  - Scratch-resistant.
  - Dust-resistant.
  - Suitable for painting.
  - LEED recognized material.

## ORDERING INFORMATION

Example: BU1854.AC.US. Power Supplies ordered separately.

BU1854	AC	US
<b>Model No.</b>	<b>Finish</b>	
BU1854	AC - AirCoral®	US

Job Name/Date:

Fixture Type Designation:

## SUGGESTED POWER SUPPLIES

700mA

Part Number	Description	Input/Output	# of Fixtures
<a href="#">PPLT00465-P</a>	0-10V Dimming to 0.1%	120-277VAC to 700mA, 20W, Class 2	1-1
<a href="#">PPLT00215</a>	0-10V Dimming to 10%	120VAC to 700mA, 30W, Class 2	1-1
<a href="#">PPLT00467-P</a>	0-10V Dimming to 1.0%	120-277VAC to 700mA, 50W, Class 2	1-2
<a href="#">PPLT00538-P</a>	0-10V Dimming to 0.1%	120-277VAC to 700mA, 100W, Class 2	1-4

## Suggested Lutron Compatible

Part Number	Option	Lutron SKU	Dim Range	Description	Input/Output	# of Fixtures
<a href="#">PPLT00517</a>	L3DAE / L3DA3W	L3DA	100%-1%	Hi-Lume™ 1% EcoSystem™ or 1% 3-Wire LED Driver	120-277VAC to 700mA, 27W, Class 2	1-1
<a href="#">PPLT00181</a>	L3DAE / L3DA3W	L3DA	100%-1%	Hi-Lume™ 1% EcoSystem™ or 1% 3-Wire LED Driver	120-277VAC to 700mA, 38W, Class 2	2-2

For other power supply options consult factory.

Job Name/Date:

Fixture Type Designation: