

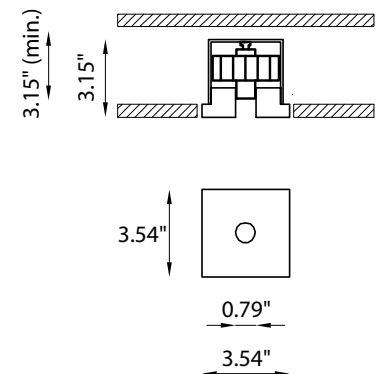
The smallest of the Genius fixture series the Genius Basic is perfect for tight ceiling conditions. Once installed the discreet aperture of 0.79" disappears into the surround. For installation into plasterboard or ceilings.



TECHNICAL DATA

Wattage / Input	4W (500mA)
Power Supply	Remote, not included. See page 2.
Construction	Body: Coral® Frame: Steel Aluminum Heat Sink
CCT	3000K (2700K, 4000K on request, consult factory)
CRI	>90
Delivered Lumens	239 lm (3000K)
Efficacy	59.8 lm/W
Optics	24° beam
Finishes	Unfinished
Cut-Out Dimensions	3.94" x 3.94"
Fixture Dimensions	3.54" l x 3.54" w x 3.15" h
Aperture	Ø0.79"
Fixture Weight	1.43 lbs
LED Source	1 COB LED Removable Cartridge
IP Rating	IP20

Ceiling Cut-Out: 3.94" x 3.94"
Fixture Dimensions:



The body is made of Coral® a unique patented composite material made from natural minerals and aggregating elements.

Additionally, Coral® is:

- Extreme resistance to high temperatures and thermal shock.*
- Highly impervious to knocks and scratches.*
- Can easily be decorated with any type of paint (water or spirit based).*
- Made of non-toxic materials and is non-allergic.*
- Does not produce fumes, even in case of fire.*
- Naturally dust repellent.*

ORDERING INFORMATION

Example: BU1885.004R24M30WD.US. Accessories / Power Supplies ordered separately.

BU1885.004R24M		WD.US
Model No.	CCT	
BU1885.004R24M	30 - 3000K (standard) 27 - 2700K (on request) 40 - 4000K (on request)	

Job Name/Date:

Fixture Type Designation:

SUGGESTED POWER SUPPLIES

500mA

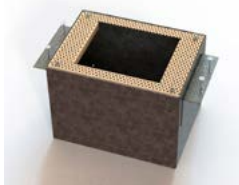
Part Number	Description	Input/Output	Fixtures
PPLT00466-P	0-10V Dimming to 1%	120-277VAC to 500mA, 10W, Class 2	1-2
PPLT00497	Phase Dim (120V Only)	120VAC to 500mA, 12W, Class 2	1-3
PPLT00465-P	0-10V Dimming to 1.0%	120-277VAC to 500mA 20W, Class 2	1-5
PPLT00527	Phase Dim (120V Only)	120VAC to 500mA, 25W, Class 2	3-6
PPLT00491-P	DALI 2 (to 0.1%)	120-277VAC to 500mA, 30W, Class 2	1-7
PPLT00308-P	0-10V Dimming to 0.1%	120-277VAC to 500mA, 30W, Class 2	1-7
PPLT00480-P	0-10V Dimming to 1.0%	120-277VAC to 500mA, 30W, Class 2	1-7

Suggested Lutron Compatible Drivers

Part Number	Option	Lutron SKU	Dim Range	Description	Input/Output	# of Fixtures
PPLT00259	L3DAE / L3DA3W	L3DA	100%-1%	Hi-Lume™ 1% EcoSystem™ or 1% 3-Wire LED Driver	120-277VAC, 10W	2-2
PPLT00195	L3DAE / L3DA3W	L3DA	100%-1%	Hi-Lume™ 1% EcoSystem™ or 1% 3-Wire LED Driver	120-277VAC, 19W	3-4
PPLT00180	L3DAE / L3DA3W	L3DA	100%-1%	Hi-Lume™ 1% EcoSystem™ or 1% 3-Wire LED Driver	120-277VAC, 27W	6-6

For other power supply options consult factory.

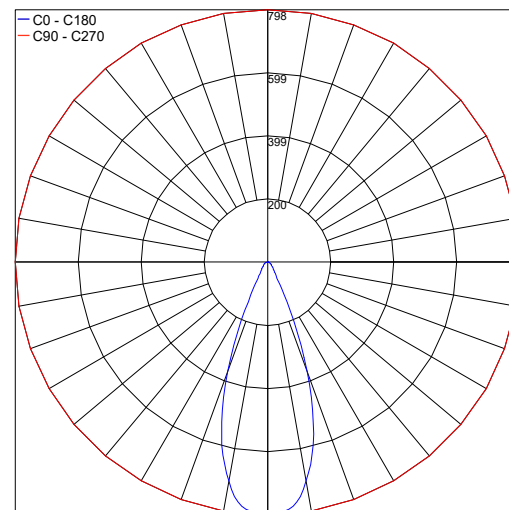
ACCESSORIES Installation



BR1885 - ___
Back Box
Include one of the below options:
LT - IC Rated
LT-C - Chicago Plenum

PHOTOMETRIC DATA

Maximum Candela = 798



Job Name/Date:

Fixture Type Designation: