

GENIUS BASIC IP65

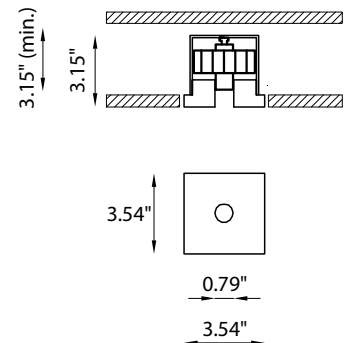
The smallest of the Genius fixture series, the Genius Basic now comes in a IP65 rated version, perfect for very damp indoor or outdoor applications. The body is made of Coral WaterOut® and the discreet aperture of 0.79" disappears into the surround.



TECHNICAL DATA

| | |
|---------------------------|--|
| Wattage / Input | 4W (500mA) |
| Power Supply | Remote, not included. See page 2. |
| Construction | Body: Coral WaterOut® |
| CCT | 3000K (2700K, 4000K on request, consult factory) |
| CRI | >90 |
| Delivered Lumens | 239 lm (3000K) |
| Efficacy | 59.8 lm/W |
| Optics | 24° beam |
| Finishes | Unfinished |
| Cut-Out Dimensions | 3.94" x 3.94" |
| Fixture Dimensions | 3.54" l x 3.54" w x 3.15" h |
| Aperture | Ø0.79" |
| Fixture Weight | 1.43 lbs |
| LED Source | 1 COB LED Removable Cartridge |
| IP Rating | IP65 |

Ceiling Cut-Out: 3.94" x 3.94"
Fixture Dimensions:



The body is made of Coral Water Out® is a new material which has proved highly resistant to water penetration. This water-repellent effect remains unchanged over time as it is a superficial finish but rather a structural feature of the material itself.

This material is ideally suited to IP65/IP44-rated recessed lighting, suitable for use in external environments, and ideal for light systems in spas, wellness clubs, massage centres, swimming-pools, bathrooms, and all other locations where water and humidity restrict the choice of technical lighting.

ORDERING INFORMATION

Example: BU1985.CW4R24M30WD.US. Accessories / Power Supplies ordered separately.

| | | |
|------------------|---|-------|
| BU1985.CW4R24M | | WD.US |
| Model No. | CCT | |
| BU1985.CW4R24M | 30 - 3000K (standard) 27 - 2700K (on request) 40 - 4000K (on request) | |

Job Name/Date:

Fixture Type Designation:

SUGGESTED POWER SUPPLIES

500mA

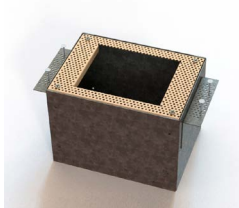
| Part Number | Description | Input/Output | Fixtures |
|-----------------------------|-----------------------|-----------------------------------|----------|
| PPLT00466-P | 0-10V Dimming to 1% | 120-277VAC to 500mA, 10W, Class 2 | 1-2 |
| PPLT00497 | Phase Dim (120V Only) | 120VAC to 500mA, 12W, Class 2 | 1-3 |
| PPLT00465-P | 0-10V Dimming to 1.0% | 120-277VAC to 500mA 20W, Class 2 | 1-5 |
| PPLT00527 | Phase Dim (120V Only) | 120VAC to 500mA, 25W, Class 2 | 3-6 |
| PPLT00308-P | 0-10V Dimming to 0.1% | 120-277VAC to 500mA, 30W, Class 2 | 1-7 |
| PPLT00480-P | 0-10V Dimming to 1.0% | 120-277VAC to 500mA, 30W, Class 2 | 1-7 |

Suggested Lutron Compatible Drivers

| Part Number | Option | Lutron SKU | Dim Range | Description | Input/Output | # of Fixtures |
|---------------------------|----------------|------------|-----------|--|------------------|---------------|
| PPLT00259 | L3DAE / L3DA3W | L3DA | 100%-1% | Hi-Lume™ 1% EcoSystem™ or 1% 3-Wire LED Driver | 120-277VAC, 10W | 2-2 |
| PPLT00195 | L3DAE / L3DA3W | L3DA | 100%-1% | Hi-Lume™ 1% EcoSystem™ or 1% 3-Wire LED Driver | 120-277VAC, 19W | 3-4 |
| PPLT00180 | L3DAE / L3DA3W | L3DA | 100%-1% | Hi-Lume™ 1% EcoSystem™ or 1% 3-Wire LED Driver | 120-277VAC , 27W | 6-6 |

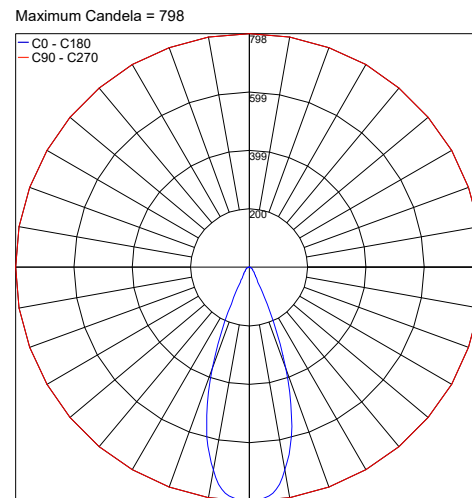
For other power supply options consult factory.

ACCESSORIES Installation



BR1885 - ___
Back Box
Include one of the below options:
LT - IC Rated
LT-C - Chicago Plenum

PHOTOMETRIC DATA



Job Name/Date:

Fixture Type Designation: