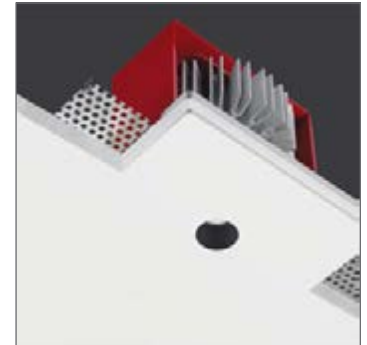




INSTRUCTIONS PERTAINING TO RISK OF FIRE OR INJURY TO PERSONS. READ ALL INSTRUCTIONS. IMPORTANT SAFETY INSTRUCTIONS. SAVE THESE INSTRUCTIONS.

DANGER - RISK OF SHOCK - DISCONNECT POWER BEFORE INSTALLATION! Please read all instructions before installation.

- Keep these instructions for future reference.
- Must be installed by a qualified electrician in accordance with national and local standards. Designplan is not responsible for fixtures installed without regard to these standards.
- Unauthorized alterations or tampering of product voids warranty.
- The main power connection must be in accordance with local electrical codes.
- Suitable for INDOOR applications.
- DO NOT INSTALL INSULATION WITHIN 3.0" (76 mm) OF ANY PART OF THE LUMINAIRE.



Electrical Connections:

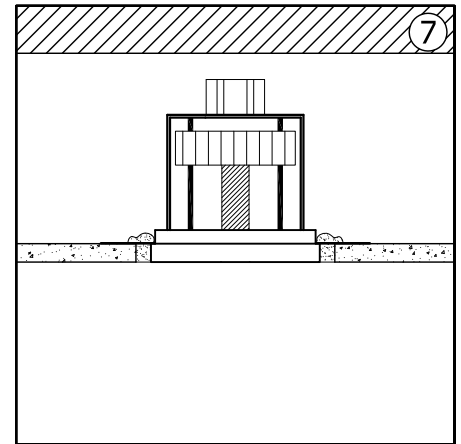
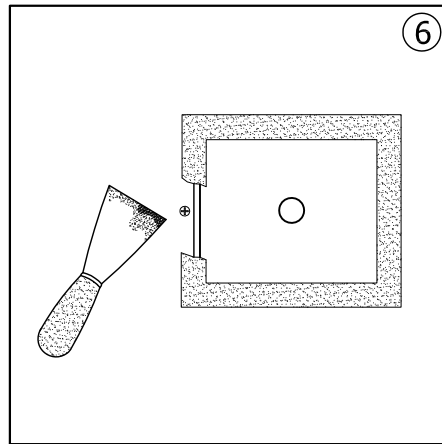
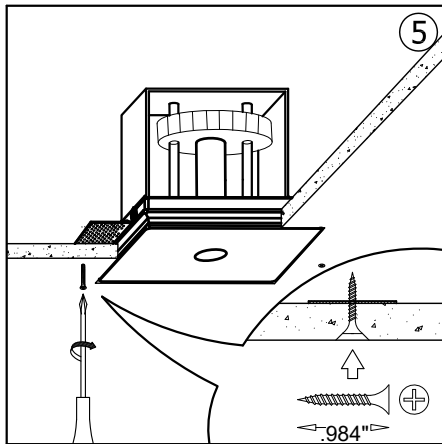
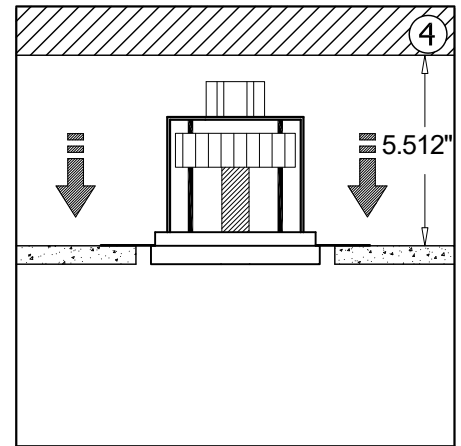
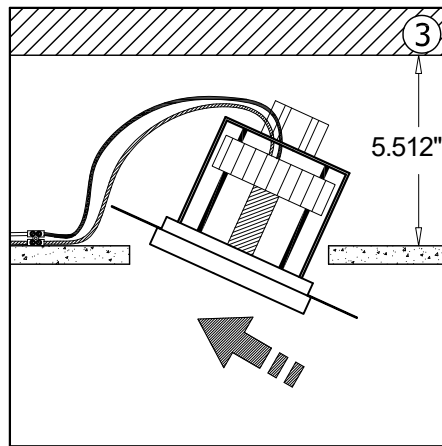
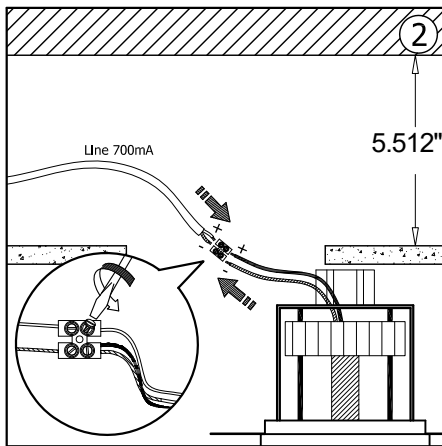
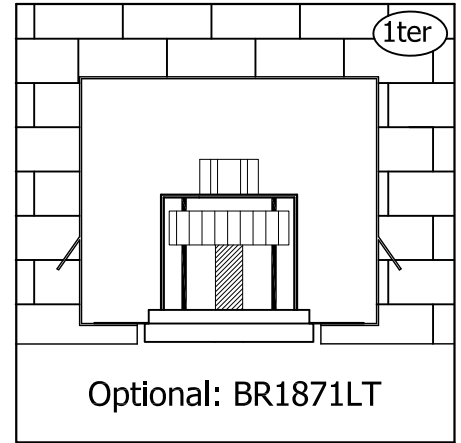
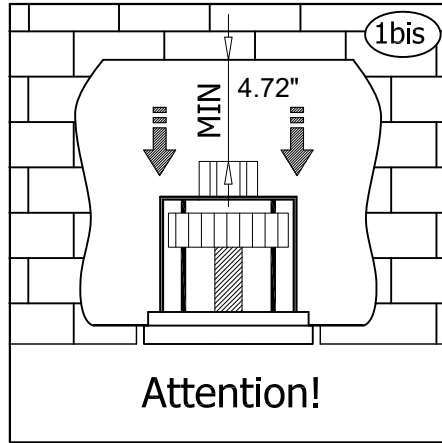
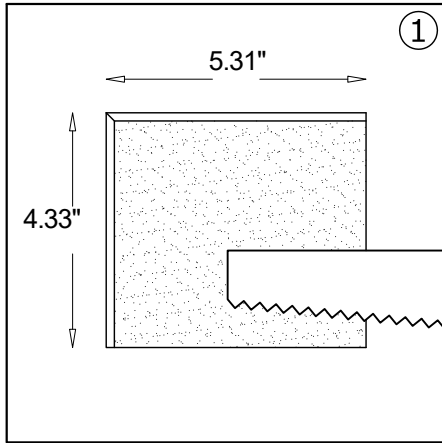
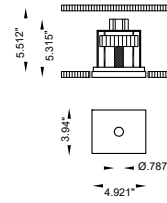
- LED lights must be **connected in series** respecting polarities.
- **CHOOSE POWER SUPPLY ACCORDINGLY.** Please consider the voltage through which fixtures are fed as well as the max power consumption.
- **Connect power only if all fixtures are connected.**
- The power supplies **MUST** be installed in aerated rooms, far from heat sources. Overworking or lack of air circulation will not permit natural dissipation.
- The electronic power supply is current-stable, therefore it partially compensates the voltage-drop problems related to the cable length; we suggest not to exceed 100 ft.
- Use only Class 2 type electronic power supply.
- Never use switches on secondary circuit.

Maintenance

Scheduled maintenance must be carried out once a year on all lighting devices, regardless of appliance class and type of use. It must include the following operations:

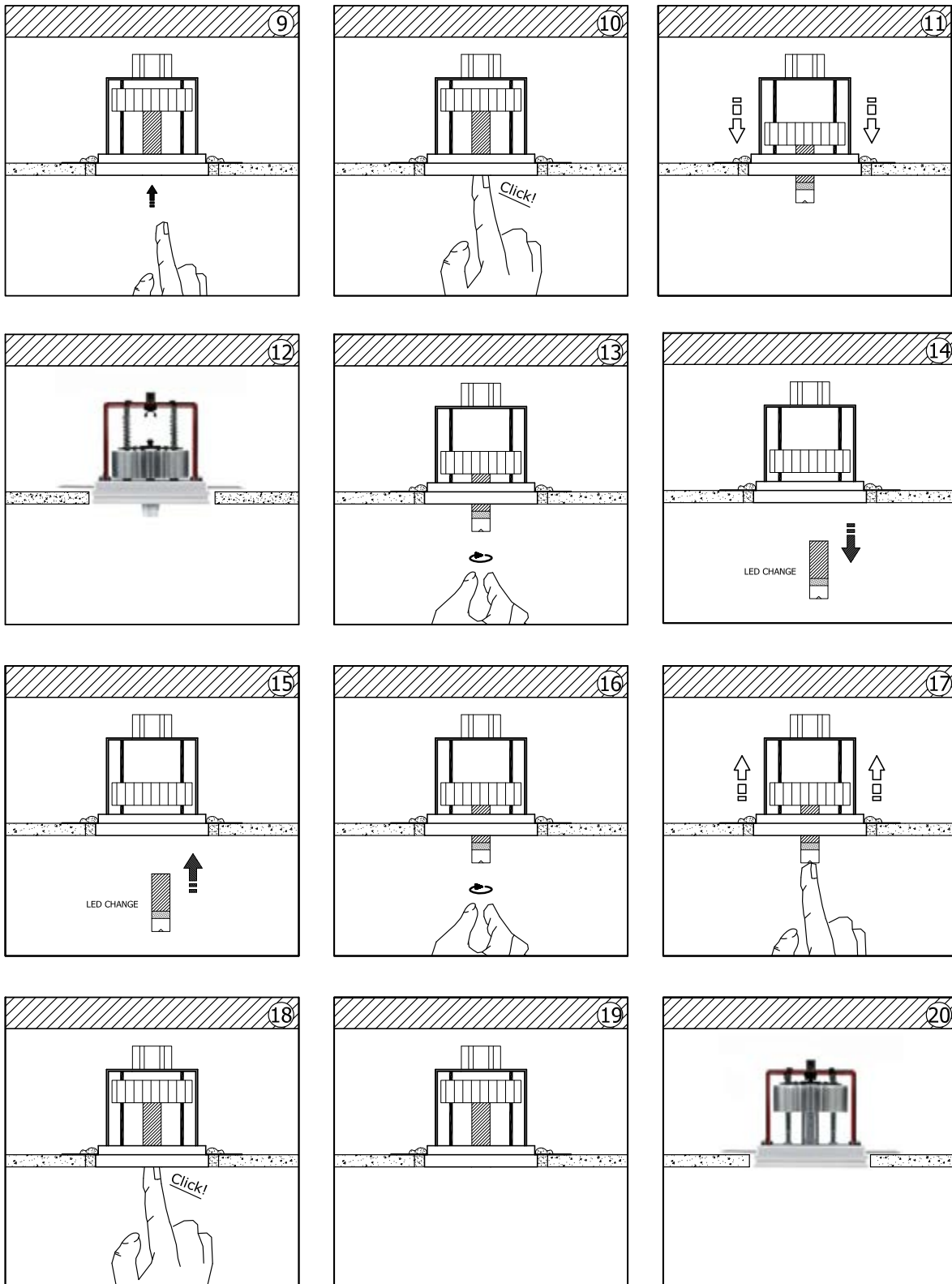
- Periodically clean fixtures to remove dirt from gratings and screw heads.
- Check tightness of screws on various parts of the device.
- Check that all cable glands and cables are intact and tight. Check that the glass or plastic lens is intact, and replace it if broken or damaged.
- The internal components such as the ballast, driver, washers and screws must not show clear signs of oxidation or rust. Clear traces of rust and oxidation will indicate the presence of water inside the device.
- In the case of damage, the components must be replaced by original components or spare parts.

Fixture Installation It is the contractor's responsibility to install Remote Driver in a suitable Electrical Enclosure!!!



Fixture Maintenance

It is the contractor's responsibility to install Remote Driver in a suitable Electrical Enclosure!!!





INSTRUCTIONS PERTAINING TO RISK OF FIRE OR INJURY TO PERSONS. READ ALL INSTRUCTIONS. IMPORTANT SAFETY INSTRUCTIONS. SAVE THESE INSTRUCTIONS.

DANGER - RISK OF SHOCK - DISCONNECT POWER BEFORE INSTALLATION! Please read all instructions before installation.

- Keep these instructions for future reference.
- Must be installed by a qualified electrician in accordance with national and local standards. Designplan is not responsible for fixtures installed without regard to these standards.
- Unauthorized alterations or tampering of product voids warranty.

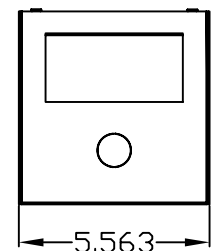


- Housing Dimensions: 8.18" L x 5.56" W x 6" H
- Housing comes with two adjustable mounting brackets secured with M4 wingnuts.
- Ceiling Cutout - 8.18" (8 $\frac{3}{16}$) x 5.63" (5 $\frac{5}{8}$)
- Remove desired knockout to feed building wires through.



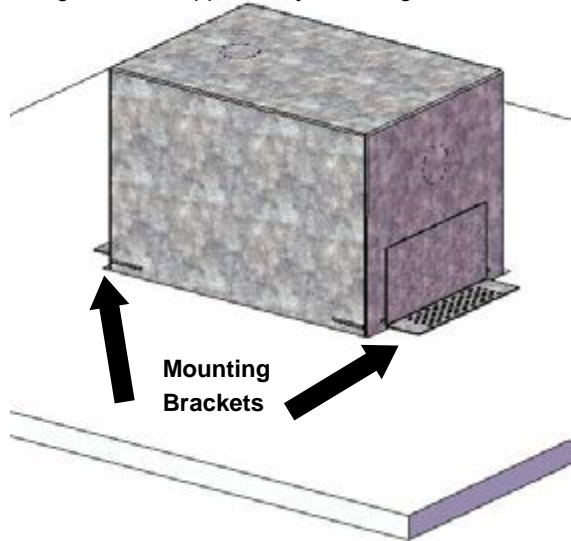
This IC Box is used for:

- Genius Square
- Genius
- Genius Dynamic white
- Genius Curve
- Genius Black
- Genius Brass



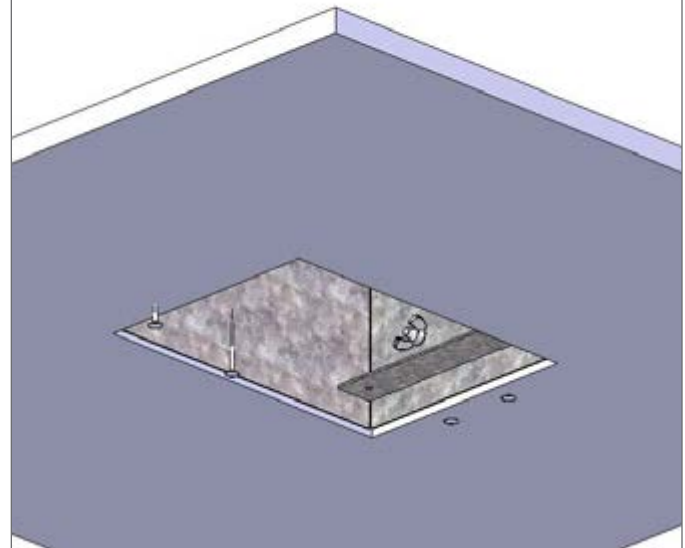
TOP VIEW

1. Slip housing into the cutout area. Housing will sit on top of ceiling surface, supported by mounting brackets.

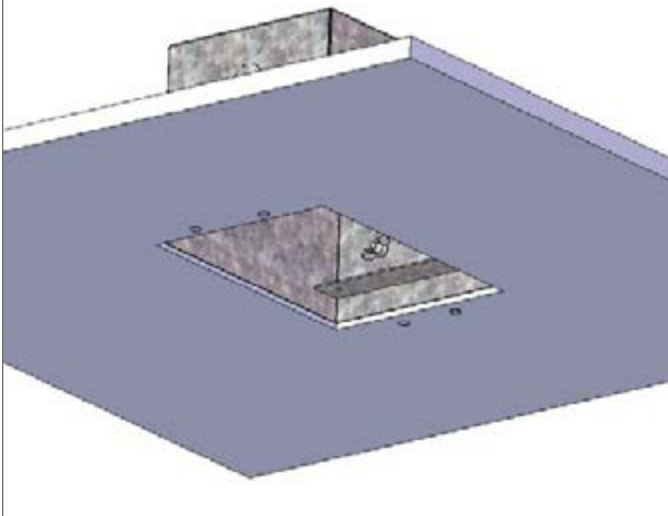


BOTTOM VIEW

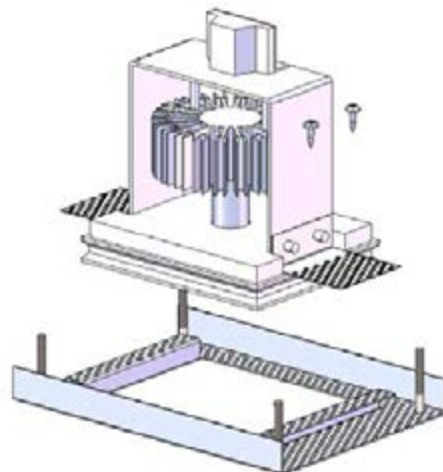
2. Once housing is in position, secure dry wall screws driven into mounting brackets.



3. Loosen all four wingnuts slightly and position the housing so that it is recessed in the opening by about 1/4". Tighten all wingnuts



4. Attach the fixture to the face plate as shown. Connect fixture wires to building wires, **RESPECTING POLARITY**. Mount the assembly into the back box. Adjust accordingly so the fixture face is flush with the ceiling surface.



5. Apply fiberglass tape around opening and apply plaster. Sand smooth when dry.

