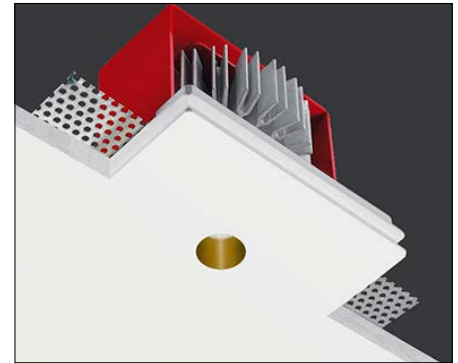


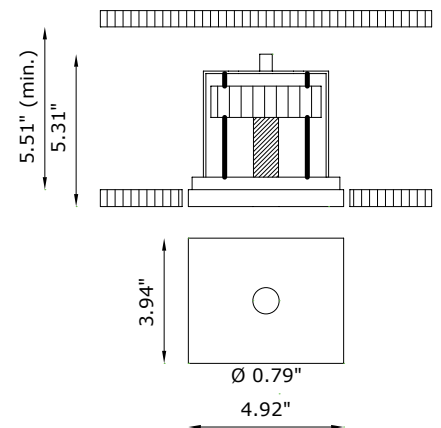
Genius Brass is a small and powerful recessed LED downlight with an aperture less than 1" in diameter. Easy access to LED module via a unique spring loaded mechanism. JA8-2016 Certified and can be used in IC, Chicago Plenum ceilings. For concrete pour ceilings, see Genius Concrete in the Outdoor catalog.



## TECHNICAL DATA

<b>Wattage / Input</b>	8.5W (700mA)
<b>Power Supply</b>	Remote, not included. See page 2.
<b>Construction</b>	Body: AirCoral® Frame: Steel Aluminum Heat Sink
<b>CCT</b>	3000K (2700K, 4000K on request)
<b>CRI</b>	>90
<b>Delivered Lumens</b>	606 lm (3000K)
<b>Efficacy</b>	71.2 lm/W
<b>Optics</b>	40°
<b>Finishes</b>	Brass inner collar
<b>Cut-Out Dimensions</b>	5.31" x 4.33"
<b>Fixture Dimensions</b>	4.92" x 3.94" x 5.31" h
<b>Aperture</b>	Ø0.79"
<b>Fixture Weight</b>	1.76 lbs
<b>LED Source</b>	1 COB LED Removalable Cartridge
<b>IP Rating</b>	IP20
<b>JA8</b>	Certified

Ceiling Cut-Out: 5.31" x 4.33"  
Fixture Dimensions:



The body is made of Aircoral® a unique patented composite material that actually purifies the air. It can be calculated how many cubic feet each fixture will purify. See website for Aircoral® calculator.

Additionally, Aircoral® is:

- Antibacterial.
- Antifungal.
- Scratch-resistant.
- Dust-resistant.
- Suitable for painting.
- LEED recognized material.

## ORDERING INFORMATION

Example: BU1861.AC.US. Accessories / Power Supplies ordered separately.

BU1861	.AC.US
<b>Model No.</b>	
BU1861 (3000K standard) (2700K, 4000K on request)	AirCoral®

## REPLACEMENT BULBS

Example: PPLL00492.US.

<b>Model No.</b>
PPLL00528.US - Replacement Lamps - 2700K
PPLL00492.US - Replacement Lamps - 3000K
PPLT00567.US - Replacement Lamps - 3500K

Job Name/Date:

Fixture Type Designation:

## SUGGESTED POWER SUPPLIES

JA8 Compatible (Also for General Use)

Part Number	Description	Input/Output	# of Fixtures
<a href="#">PPLT00466-P</a>	0-10V Dimming to 1.0%	120-277VAC to 700mA, 10W	1 - 1

JA8 Compatible - Lutron Compatible (Also for General Use)

Part Number	Option	Lutron SKU	Dim Range	Description	Input/Output	# of Fixtures
<a href="#">PPLT00512</a>	LTEA2W	LTEA	100%-1%	Hi-lume™ 1% 2-wire LED Driver (120V forward phase only)	120VAC to 700mA, 14W	1 - 1

## SUGGESTED POWER SUPPLIES

700mA (Not JA8 Compatible)

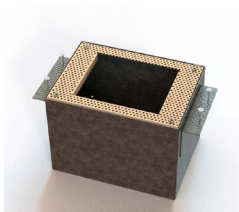
Part Number	Description	Input/Output	# of Fixtures
<a href="#">PPLT00498</a>	Phase Dim (120V only)	120VAC to 700mA, 12W	1 - 1
<a href="#">PPLT00465-P</a>	0-10V Dimming to 1.0%	120-277VAC to 700mA, 20W	1 - 2
<a href="#">PPLT00308-P</a>	0-10V Dimming to 0.1%	120-277VAC to 700mA, 30W	1 - 3
<a href="#">PPLT00309-P</a>	0-10V Dimming to 0.1%	120-277VAC to 700mA, 50W	1 - 4
<a href="#">PPLT00467-P</a>	0-10V Dimming to 1.0%	120-277VAC to 700mA, 50W	1 - 4

Suggested Lutron Compatible (Not JA8 Compatible)

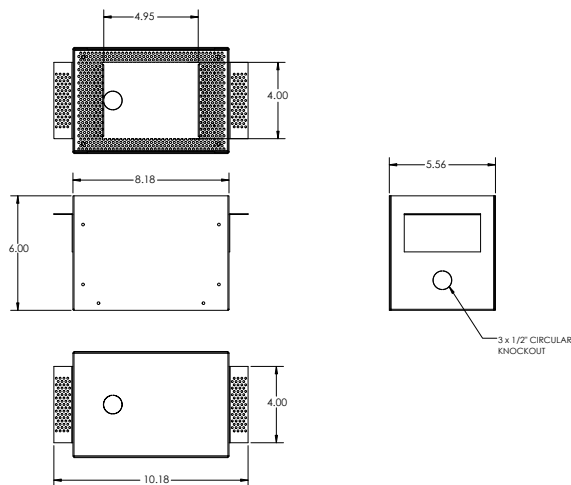
Part Number	Option	Lutron SKU	Dim Range	Description	Input/Output	# of Fixtures
<a href="#">PPLT00515</a>	L3DAE / L3DA3W	L3DA	100%-1%	Hi-lume™ 1% EcoSystem™ / 1% 3-Wire LED Driver	120-277VAC to 700mA, 14W	1 - 1
<a href="#">PPLT00517</a>	L3DAE / L3DA3W	L3DA	100%-1%	Hi-lume™ 1% EcoSystem™ / 1% 3-Wire LED Driver	120-277VAC to 700mA, 27W	2 - 3
<a href="#">PPLT00181</a>	L3DAE / L3DA3W	L3DA	100%-1%	Hi-lume™ 1% EcoSystem™ / 1% 3-Wire LED Driver	120-277VAC to 700mA, 38W	3 - 4

For other power supply options consult factory.

## ACCESSORIES - Installation



**BR1855** - \_\_\_  
Back Box  
Include one of the below options:  
**LT** - IC Rated / JA8 Rated  
**LT-C** - Chicago Plenum

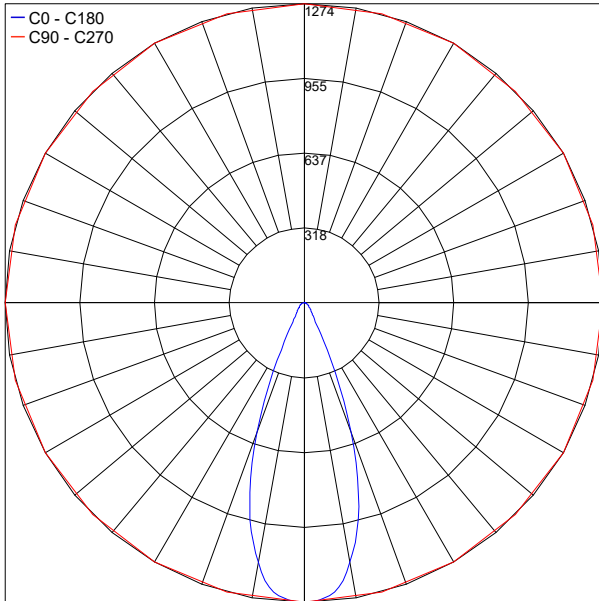


Job Name/Date:

Fixture Type Designation:

## PHOTOMETRIC DATA

Maximum Candela = 1274



Job Name/Date:

Fixture Type Designation: