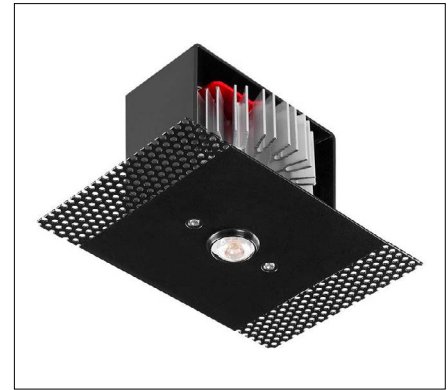


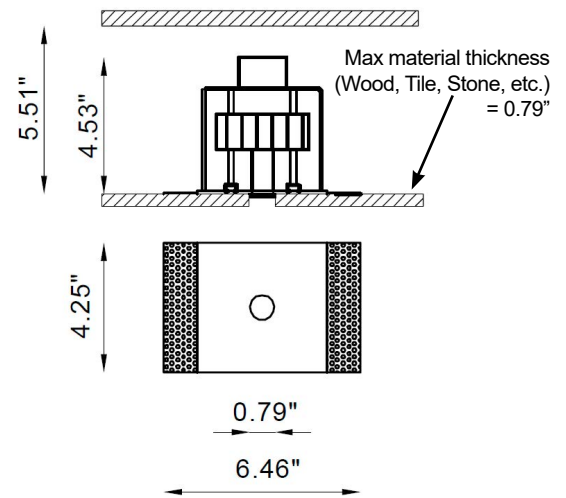
Want to use the Genius but have a non-traditional ceiling? Genius Naked now opens up the possibilities for these interior applications as it can be **installed from above** on surfaces (up to 0.79" thick) such as marble, stone, wood. JA8-2016 Certified and IC rated.



TECHNICAL DATA

Wattage / Input	8.5W (700mA)
Power Supply	Remote, not included. See page 2.
Construction	Steel, Aluminum
CCT	2700K, 3000K, 4000K
CRI	>90
Delivered Lumens	606 lm (3000K)
Efficacy	71.2 lm/W
Optics	40°
Finishes	Black
Cut-Out Dimensions	Ø0.87"
Max. Material Thickness	0.79"
Fixture Dimensions	6.46" x 4.25" x h 4.53"
Aperture	Ø0.79"
LED Source	1 COB LED
IP Rating	IP20
JA8	Certified

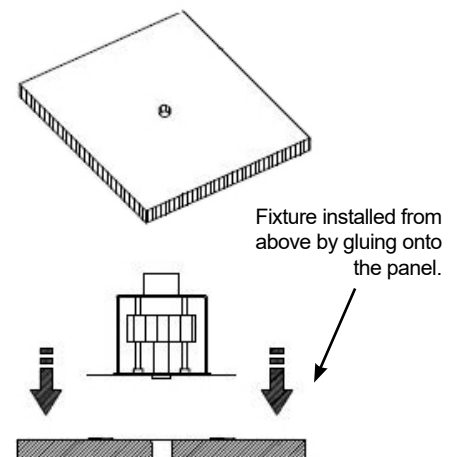
Ceiling Cut-Out: Ø0.87"
Fixture Dimensions:



ORDERING INFORMATION

Example: BU1061BL4R40M.27.WD.US. Power Supplies ordered separately.

BU1061BL4R40M.		.WD.US
Model No.	CCT	
BU1061BL4R40M.	27 - 2700K	.WD.US
	30 - 3000K	
	40 - 4000K	



Job Name/Date:

Fixture Type Designation:

SUGGESTED POWER SUPPLIES

700mA (Not JA8 Compatible)

Part Number	Description	Input/Output	# of Fixtures
PPLT00498	Phase Dim (120V only)	120VAC to 700mA, 12W	1 - 1

JA8 Compatible (Also for General Use)

Part Number	Description	Input/Output	# of Fixtures
PPLT00466-P	0-10V Dimming to 1.0%	120-277VAC to 700mA, 10W	1 - 1
PPLT00465-P	0-10V Dimming to 1.0%	120-277VAC to 700mA, 20W	1 - 2
PPLT00308-P	0-10V Dimming to 0.1%	120-277VAC to 700mA, 30W	1 - 3
PPLT00480-P	0-10V Dimming to 1.0%	120-277VAC to 700mA, 30W	1 - 3
PPLT00309-P	0-10V Dimming to 0.1%	120-277VAC to 700mA, 50W	1 - 4
PPLT00467-P	0-10V Dimming to 1.0%	120-277VAC to 700mA, 50W	1 - 4

Suggested Lutron Compatible (Not JA8 Compatible)

Part Number	Option	Lutron SKU	Dim Range	Description	Input/Output	# of Fixtures
PPLT00515	L3DAE / L3DA3W	L3DA	100%-1%	Hi-lume™ 1% EcoSystem™ / 1% 3-Wire LED Driver	120-277VAC to 700mA, 14W	1 - 1
PPLT00517	L3DAE / L3DA3W	L3DA	100%-1%	Hi-lume™ 1% EcoSystem™ / 1% 3-Wire LED Driver	120-277VAC to 700mA, 27W	2 - 3
PPLT00181	L3DAE / L3DA3W	L3DA	100%-1%	Hi-lume™ 1% EcoSystem™ / 1% 3-Wire LED Driver	120-277VAC to 700mA, 38W	3 - 4

For other power supply options consult factory.

Job Name/Date:

Fixture Type Designation:

ACCESSORIES Installation

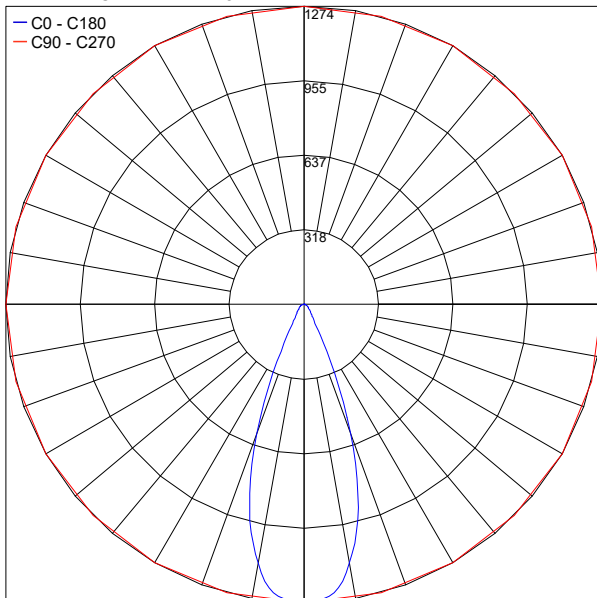


BN1061LT - __
Back Box - IC Rated

PHOTOMETRIC DATA

Note: All photometrics 3000K

Maximum Candela = 1273.7



PHOTOMETRIC FILENAME : GENIUS NAKED 8.5W 40° - BU1061.AC.IES

Job Name/Date:

Fixture Type Designation: