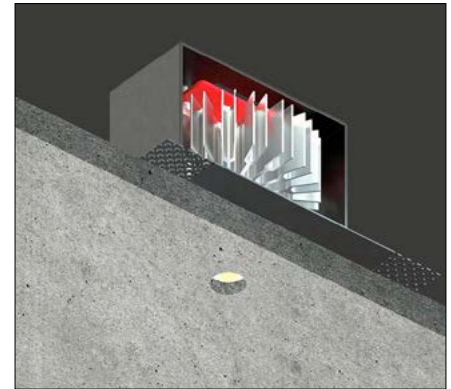


# GENIUS NAKED IP65

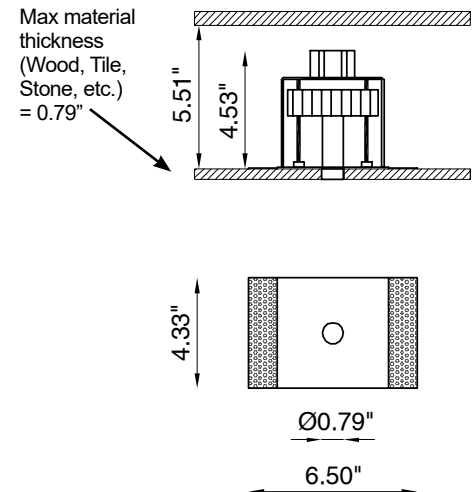
Genius Naked IP65 now opens up the possibilities because of its high IP65 protection rating. It can be used indoors OR outdoors and in very damp environments. It is **installed from above** by being glued on surfaces such as wood, cement, mirror and marble with a thickness of from 0.47" (12 mm) to a maximum of 0.79" (20 mm). JA8-2016 Certified.



## TECHNICAL DATA

<b>Wattage / Input</b>	8.5W (700mA)
<b>Power Supply</b>	Remote, not included. See page 2.
<b>Construction</b>	Steel, Aluminum
<b>CCT</b>	3000K (2700K, 4000K on request)
<b>CRI</b>	>90
<b>Delivered Lumens</b>	606 lm (3000K)
<b>Efficacy</b>	71.3 lm/W
<b>Optics</b>	40°
<b>Finishes</b>	Black
<b>Max. Material Thickness</b>	0.79"
<b>Fixture Dimensions</b>	6.50" l x 4.33" w x h 4.53" h
<b>Aperture</b>	Ø0.79"
<b>Fixture Weight</b>	1.43 lbs
<b>LED Source</b>	1 COB LED
<b>IP Rating</b>	IP65
<b>JA8</b>	Certified

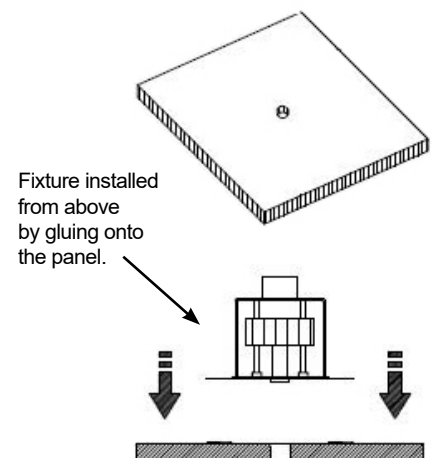
Fixture Dimensions:



## ORDERING INFORMATION

Example: BU2075BL4R40M.30.WD.US. Power Supplies ordered separately.

BU2075BL4R40M		WD.US
<b>Model No.</b>	<b>CCT</b>	
BU2075BL4R40M	27 - 2700K	WD.US
	30 - 3000K	
	40 - 4000K	



Job Name/Date:

Fixture Type Designation:

## SUGGESTED POWER SUPPLIES

700mA (Not JA8 Compatible)

Part Number	Description	Input/Output	# of Fixtures
<a href="#">PPLT00498</a>	Phase Dim (120V only)	120VAC to 700mA, 12W	1 - 1

JA8 Compatible (Also for General Use)

Part Number	Description	Input/Output	# of Fixtures
<a href="#">PPLT00466-P</a>	0-10V Dimming to 1.0%	120-277VAC to 700mA, 10W	1 - 1
<a href="#">PPLT00465-P</a>	0-10V Dimming to 1.0%	120-277VAC to 700mA, 20W	1 - 2
<a href="#">PPLT00308-P</a>	0-10V Dimming to 0.1%	120-277VAC to 700mA, 30W	1 - 3
<a href="#">PPLT00480-P</a>	0-10V Dimming to 1.0%	120-277VAC to 700mA, 30W	1 - 3
<a href="#">PPLT00309-P</a>	0-10V Dimming to 0.1%	120-277VAC to 700mA, 50W	1 - 4
<a href="#">PPLT00467-P</a>	0-10V Dimming to 1.0%	120-277VAC to 700mA, 50W	1 - 4

Suggested Lutron Compatible (Not JA8 Compatible)

Part Number	Option	Lutron SKU	Dim Range	Description	Input/Output	# of Fixtures
<a href="#">PPLT00515</a>	L3DAE / L3DA3W	L3DA	100%-1%	Hi-Lume™ 1% EcoSystem™ / 1% 3-Wire LED Driver	120-277VAC to 700mA, 14W	1 - 1
<a href="#">PPLT00517</a>	L3DAE / L3DA3W	L3DA	100%-1%	Hi-Lume™ 1% EcoSystem™ / 1% 3-Wire LED Driver	120-277VAC to 700mA, 27W	2 - 3
<a href="#">PPLT00181</a>	L3DAE / L3DA3W	L3DA	100%-1%	Hi-Lume™ 1% EcoSystem™ / 1% 3-Wire LED Driver	120-277VAC to 700mA, 38W	3 - 4

For other power supply options consult factory.

Job Name/Date:

Fixture Type Designation: