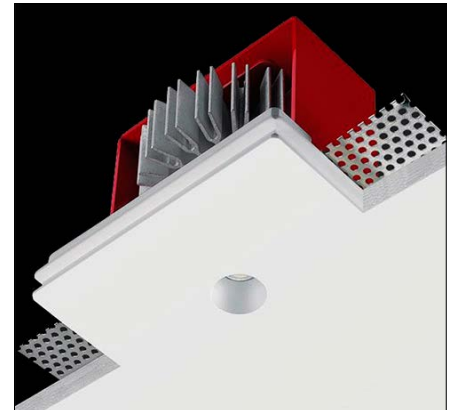


GENIUS ROUND IP65

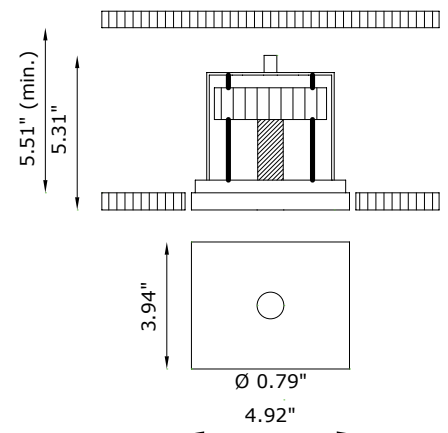
Genius is a small and powerful recessed LED downlight with an aperture less than 1" in diameter. Easy access to LED module via a unique spring loaded mechanism. The body is made of Coral Water Out® a unique patented composite material that is waterproof. JA8-2016 Certified.



TECHNICAL DATA

Wattage / Input	8.5W (700mA)
Power Supply	Remote, not included. See page 2.
Construction	Body: Coral Water Out® Frame: Steel Aluminum Heat Sink
CCT	3000K (2700K, 4000K on request)
CRI	>80 (>90 on request)
Delivered Lumens	606 lm
Efficacy	71.2 lm/W (3000K)
Optics	40° beam
Finishes	Unfinished
Cut-Out Dimensions	5.31" x 4.33"
Fixture Dimensions	4.92" x 3.94" x 5.28" h
Aperture	Ø0.79"
Fixture Weight	1.76 lbs
LED Source	1 Removable COB LED Cartridge
IP Rating	IP65
JA8	Certified

Ceiling Cut-Out: 5.31" x 4.33"
Fixture Dimensions:



The body is made of Coral Water Out® is a new material which has proved highly resistant to water penetration. This water-repellent effect remains unchanged over time as it is a superficial finish but rather a structural feature of the material itself.

This material is ideally suited to IP65/IP44-rated recessed lighting, suitable for use in external environments, and ideal for light systems in spas, wellness clubs, massage centres, swimming-pools, bathrooms, and all other locations where water and humidity restrict the choice of technical lighting.

ORDERING INFORMATION

Example: BU1951.CW.US. Accessories / Power Supplies ordered separately.

BU1951	.CW.US
Model No.	
BU1951 (3000K standard) (2700K, 4000K on request)	Coral Water Out®

Job Name/Date:

Fixture Type Designation:

SUGGESTED POWER SUPPLIES

JA8 Compatible (Also for General Use)

Part Number	Description	Input/Output	# of Fixtures
PPLT00466-P	0-10V Dimming to 1.0%	120-277VAC to 700mA, 10W	1 - 1

SUGGESTED POWER SUPPLIES

700mA (Not JA8 Compatible)

Part Number	Description	Input/Output	# of Fixtures
PPLT00498	Phase Dim (120V only)	120VAC to 700mA, 12W	1 - 1
PPLT00465-P	0-10V Dimming to 1.0%	120-277VAC to 700mA, 20W	1 - 2
PPLT00308-P	0-10V Dimming to 0.1%	120-277VAC to 700mA, 30W	1 - 3
PPLT00480-P	0-10V Dimming to 1.0%	120-277VAC to 700mA, 30W	1 - 3
PPLT00309-P	0-10V Dimming to 0.1%	120-277VAC to 700mA, 50W	1 - 4
PPLT00467-P	0-10V Dimming to 1.0%	120-277VAC to 700mA, 50W	1 - 4

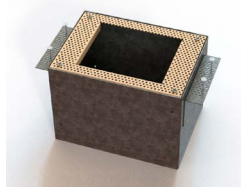
Suggested Lutron Compatible (Not JA8 Compatible)

Part Number	Option	Lutron SKU	Dim Range	Description	Input/Output	# of Fixtures
PPLT00515	L3DAE / L3DA3W	L3DA	100%-1%	Hi-lume™ 1% EcoSystem™ / 1% 3-Wire LED Driver	120-277VAC to 700mA, 14W	1 - 1
PPLT00517	L3DAE / L3DA3W	L3DA	100%-1%	Hi-lume™ 1% EcoSystem™ / 1% 3-Wire LED Driver	120-277VAC to 700mA, 27W	2 - 3
PPLT00181	L3DAE / L3DA3W	L3DA	100%-1%	Hi-lume™ 1% EcoSystem™ / 1% 3-Wire LED Driver	120-277VAC to 700mA, 38W	3 - 4

For other power supply options consult factory.

ACCESSORIES

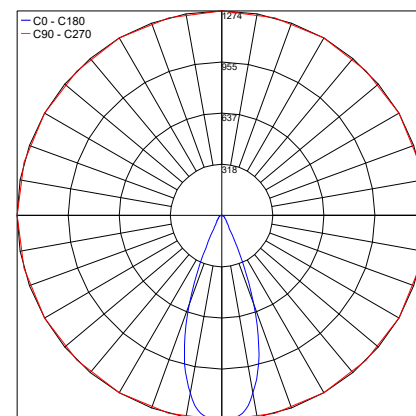
Installation



BR1855 - ___
Back Box
Include one of the below options:
LT - IC Rated / JA8 Rated
LT-C - Chicago Plenum

PHOTOMETRIC DATA

Maximum Candela = 1274



Job Name/Date:

Fixture Type Designation: