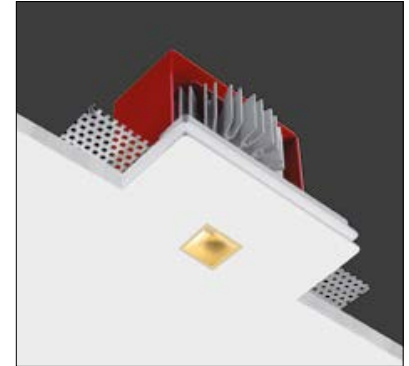


GENIUS SQUARE BRASS

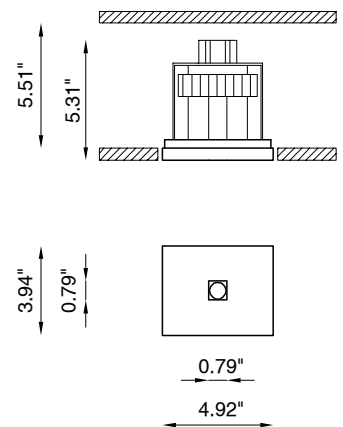
Genius Square Brass is a small and powerful recessed LED downlight with an aperture less than 1" in diameter that has a brass insert fitted around the light emission hole helping to spread a warmer tone and variegated shades suitable for relaxed ambience situations. Easy access to LED module via a unique spring loaded mechanism. JA8-2016 Certified and can be used in IC, Chicago Plenum ceiling. For concrete pour ceilings, see Genius Concrete in the Outdoor catalog.



TECHNICAL DATA

Wattage / Input	8.5W (700mA)
Power Supply	Remote, not included. See page 2.
Construction	Body: AirCoral® Frame: Steel Aluminum Heat Sink
CCT	3000K (2700K, 4000K on request)
CRI	>90
Delivered Lumens	606 lm (3000K)
Efficacy	71.2 lm/W
Optics	40° Wide Beam
Finishes	Unfinished, Brass Inner Collar
Cut-Out Dimensions	5.31" x 4.33"
Fixture Dimensions	4.92" x 3.94" x 5.31" h
Aperture	0.79" sq.
Fixture Weight	1.76 lbs
LED Source	1 COB LED Removable Cartridge
IP Rating	IP20
JA8	Certified

Ceiling Cut-Out: 5.31" x 4.33"
Fixture Dimensions:



The body is made of AirCoral® a unique patented composite material that actually purifies the air. It can be calculated how many cubic feet each fixture will purify. See website for AirCoral® calculator.

Additionally, AirCoral® is:

- Antibacterial.
- Antifungal.
- Scratch-resistant.
- Dust-resistant.
- Suitable for painting.
- LEED recognized material.

ORDERING INFORMATION

Example: BU1895.AC.4R40M.30.WD.US Accessories / Power Supplies ordered separately.

BU1895	AC	4R40M		WD.US
Model No.	Finish	Optic	CCT	
BU1895	AC - AirCoral®	4R40M - 40°	30 - 3000K (standard) 27 - 2700K (on request) 40 - 4000K (on request)	WD.US

Job Name/Date:

Fixture Type Designation:

SUGGESTED POWER SUPPLIES

JA8 Compatible (Also for General Use)

Part Number	Description	Input/Output	# of Fixtures
PPLT00466-P	0-10V Dimming to 1.0%	120-277VAC to 700mA, 10W	1 - 1

SUGGESTED POWER SUPPLIES

700mA (Not JA8 Compatible)

Part Number	Description	Input/Output	# of Fixtures
PPLT00498	Phase Dim (120V only)	120VAC to 700mA, 12W	1 - 1
PPLT00465-P	0-10V Dimming to 1.0%	120-277VAC to 700mA, 20W	1 - 2
PPLT00308-P	0-10V Dimming to 0.1%	120-277VAC to 700mA, 30W	1 - 3
PPLT00480-P	0-10V Dimming to 1.0%	120-277VAC to 700mA, 30W	1 - 3
PPLT00309-P	0-10V Dimming to 0.1%	120-277VAC to 700mA, 50W	1 - 4
PPLT00467-P	0-10V Dimming to 1.0%	120-277VAC to 700mA, 50W	1 - 4

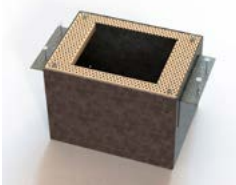
Suggested Lutron Compatible (Not JA8 Compatible)

Part Number	Option	Lutron SKU	Dim Range	Description	Input/Output	# of Fixtures
PPLT00515	L3DAE / L3DA3W	L3DA	100%-1%	Hi-lume™ 1% EcoSystem™ / 1% 3-Wire LED Driver	120-277VAC to 700mA, 14W	1 - 1
PPLT00517	L3DAE / L3DA3W	L3DA	100%-1%	Hi-lume™ 1% EcoSystem™ / 1% 3-Wire LED Driver	120-277VAC to 700mA, 27W	2 - 3
PPLT00181	L3DAE / L3DA3W	L3DA	100%-1%	Hi-lume™ 1% EcoSystem™ / 1% 3-Wire LED Driver	120-277VAC to 700mA, 38W	3 - 4

For other power supply options consult factory.

ACCESSORIES

Installation



BR1855 - ___

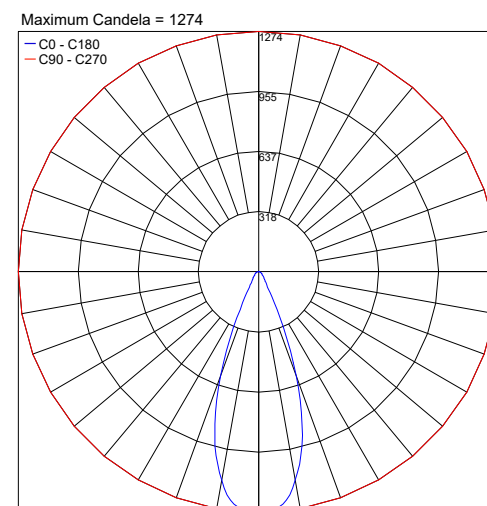
Back Box

Include one of the below options:

LT - IC Rated

LT-C - Chicago Plenum / JA8 Rated

PHOTOMETRIC DATA



PHOTOMETRIC FILENAME : GENIUS SQUARE BRASS 1895.AC 8.5W 700MA 3K.JES

Job Name/Date:

Fixture Type Designation: