

HYDROQUADRO MAXI

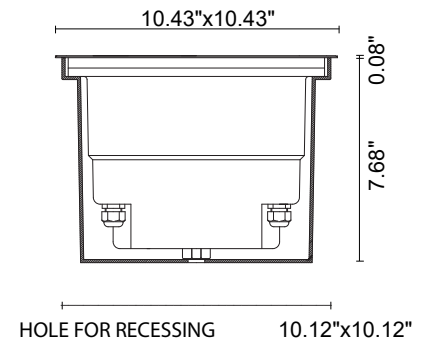
Hydroquadro Maxi is a 24W inground recessed luminaire for outdoor installation adjustable +/- 15 degrees. It is available in 2 color temperatures, 3 optics options and a stainless steel finish.



TECHNICAL DATA

Wattage / Input	24W (120VAC)
Power Supply	Integral
Construction	Body: Die-Cast Copper-Free Aluminum Trim: Stainless Steel AISI 304 Lens: Tempered Safety Glass Cable Length: 3.28'
CCT	3000K, 4000K
Delivered Lumens	2304 lm (3000K, 10°)
Efficacy	96.0 lm/W (3000K, 10°)
Optics	3 Standard, See Below
Finishes	Stainless Steel
Fixture Dimensions	10.43" x 10.43" x 7.76" h
Cut-out Dimension	10.12" x 10.12"
LED Source	16 x 1.5W High Power CREE "XP-G3" LED
Fixture Weight	12.6 lbs
IP Rating	IP67
IK Rating	IK10
Static Weight Resistance	Max 11,000 lbs

Fixture Dimensions



ORDERING INFORMATION

Example: 202009P-30K-10-SS

202009P	-		-		-	SS
Model No.		CCT		Optics		Finish
202009P		30K - 3000K 40K - 4000K		10 - 10° 30 - 30° 45 - 45°		SS - Stainless Steel

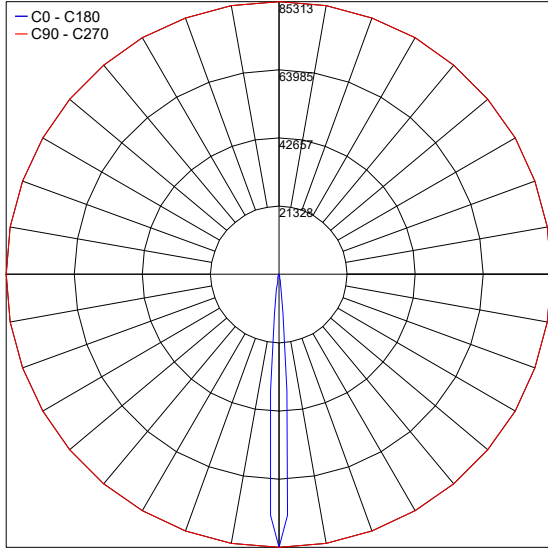
Job Name/Date:

Fixture Type Designation:

PHOTOMETRIC DATA

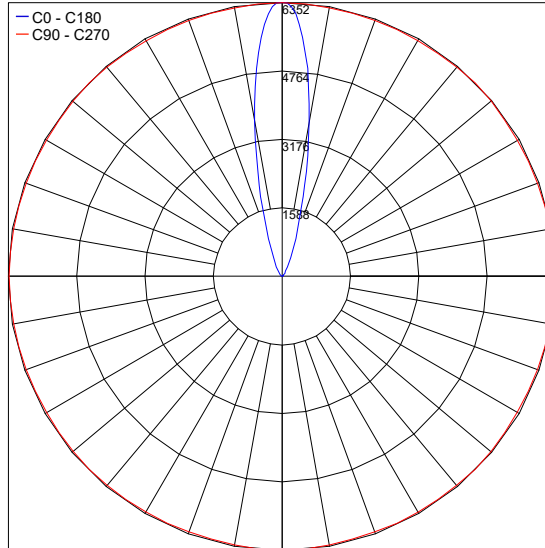
Note all Photometry is 3000K

Maximum Candela = 85313.3



PHOTOMETRIC FILENAME : HYDROQUADRO MAXI 202009_24W 10°.IES

Maximum Candela = 6351.9



PHOTOMETRIC FILENAME : HYDROQUADRO MAXI 202009_24W 30°.IES

Job Name/Date:

Fixture Type Designation: