

HYDROQUADRO MAXI PRO

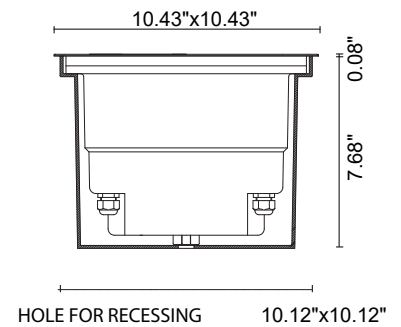
Hydroquadro Maxi Pro is a 44W inground recessed luminaire for outdoor installation adjustable +/- 15 degrees. It is available in 2 color temperatures, 3 optics options and a stainless steel finish.



TECHNICAL DATA

Wattage / Input	44W (120VAC)
Power Supply	Integral
Construction	Body: Die-Cast Copper-Free Aluminum Trim: Stainless Steel AISI 304 Lens: Tempered Safety Glass Cable Length: 3.28'
CCT	3000K
BUG Rating	B0-U5-G0
Delivered Lumens	3920 lm (10°)
Efficacy	89.1 lm/W (10°)
Optics	3 Standard, See Below
Finishes	Stainless Steel
Fixture Dimensions	10.43" x 10.43" x 7.76" h
Cut-out Dimension	10.12" x 10.12"
LED Source	16 High Power CREE "XP-L" LED
Fixture Weight	12.6 lbs
IP Rating	IP67
IK Rating	IK10
Static Weight Resistance	Max 11,000 lbs

Fixture Dimensions



ORDERING INFORMATION

Example: 202010P-30K-10-SS

202010P	-	30K	-		-	SS
Model No.		CCT		Optics		Finish
202010P		30K - 3000K		10 - 10° 30 - 30° 45 - 45°		SS - Stainless Steel

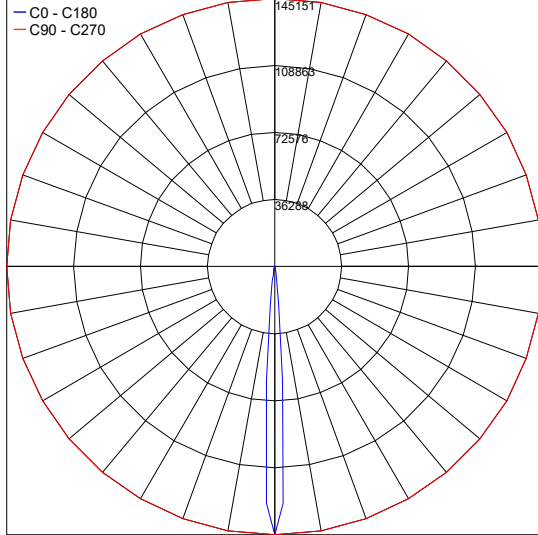
Job Name/Date:

Fixture Type Designation:

PHOTOMETRIC DATA

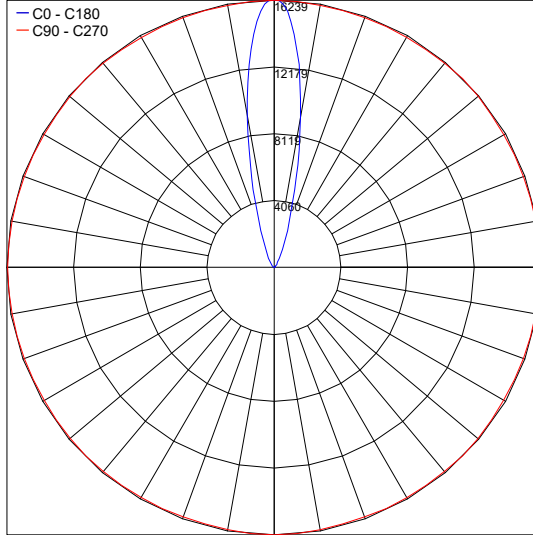
Note all Photometry is 3000K

Maximum Candela = 145151



PHOTOMETRIC FILENAME : HYDROQUADRO MED PRO 44W 10°.IES

Maximum Candela = 16238.5



PHOTOMETRIC FILENAME : HYDROQUADRO MED PRO 44W 30°.IES

Job Name/Date:

Fixture Type Designation: