

# HYDROQUADRO MINI

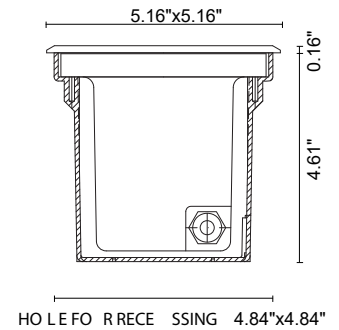
Hydroquadro Mini is a 3W inground recessed luminaire for outdoor installation adjustable +/- 15 degrees. It is available in 2 color temperatures, 3 optics options and a stainless steel finish.



## TECHNICAL DATA

<b>Wattage / Input</b>	3W (350mA)
<b>Power Supply</b>	Remote, not included. See page 2.
<b>Construction</b>	Body: Die-Cast Copper-Free Aluminum Trim: Stainless Steel AISI 304 Lens: Tempered Safety Glass Cable Length: 3.28'
<b>CCT</b>	3000K, 4000K
<b>BUG Rating</b>	B0-U3-G0
<b>Delivered Lumens</b>	346 lm (3000K, 10°)
<b>Efficacy</b>	115.3 lm/W (3000K, 10°)
<b>Optics</b>	3 Standard, See Below
<b>Finishes</b>	Stainless Steel
<b>Fixture Dimensions</b>	5.16" x 5.16" x 4.77" h
<b>Cut-out Dimension</b>	4.84" x 4.84"
<b>LED Source</b>	3 x 1W High Power CREE "XP-G3" LED
<b>Fixture Weight</b>	2.7 lbs
<b>IP Rating</b>	IP67
<b>IK Rating</b>	IK10
<b>Static Weight Resistance</b>	Max 11,000 lbs

Fixture Dimensions



## ORDERING INFORMATION

Example: 202001P-30K-10-SS. Power Supplies ordered separately.

202001P	-		-		-	SS
Model No.	CCT	Optics	Finish			
202001P	30K - 3000K 40K - 4000K	10 - 10° 30 - 30° 45 - 45°	SS - Stainless Steel			

Job Name/Date:

Fixture Type Designation:

## SUGGESTED POWER SUPPLIES

350mA

Part Number	Description	Input/Output	# of Fixtures
<a href="#">PPLT00466-P</a>	0-10V Dimming to 1.0%	120-277VAC to 350mA, 10W, Class 2, DAMP	1-2
<a href="#">PPLT00468</a>	Phase Dim (120V only)	120VAC to 350mA, 14W, Class 2, DAMP	2-3
<a href="#">PPLT00263</a>	Leading / Trailing Edge Dimming to 10% (120V only)	120-277VAC to 350mA, 32W, Class 2	3-3
<a href="#">PPLT00538-P</a>	0-10V Dimming to 0.1% (4 channels)	120-277VAC to 350mA, 100W, Class 2	1-4 (1-16)

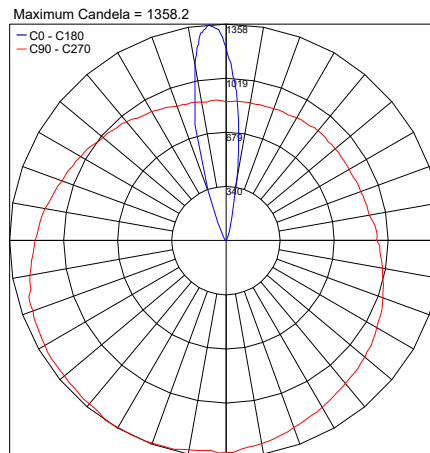
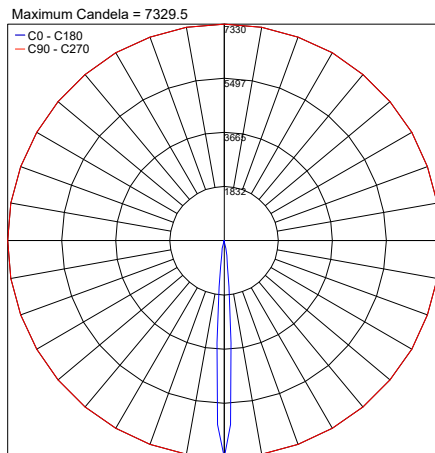
## Suggested Lutron Compatible

Part Number	Option	Lutron SKU	Dim Range	Description	Input/Output	# of Fixtures
<a href="#">PPLT00252</a>	LTEA2W	LTEA	100%-1%	Hi-Lume™ 1% 2-Wire LED Driver (120V forward phase only)	120VAC to 350mA, 7W, Class 2	1-1
<a href="#">PPLT00247</a>	L3DAE / L3DA3W	L3DA	100%-1%	Hi-Lume™ 1% EcoSystem™ or 1% 3-Wire LED Driver	120-277VAC to 350mA, 7W, Class 2	1-1
<a href="#">PPLT00271</a>	LTEA2W	LTEA	100%-1%	Hi-Lume™ 1% 2-Wire LED Driver (120V forward phase only)	120VAC to 350mA, 13W, Class 2	2-3
<a href="#">PPLT00516</a>	L3DAE / L3DA3W	L3DA	100%-1%	Hi-Lume™ 1% EcoSystem™ or 1% 3-Wire LED Driver	120-277VAC to 350mA, 13W, Class 2	2-3
<a href="#">PPLT00179</a>	L3DAE / L3DA3W	L3DA	100%-1%	Hi-Lume™ 1% EcoSystem™ or 1% 3-Wire LED Driver	120-277VAC to 350mA, 19W, Class 2	4-4
<a href="#">PPLT00220</a>	LTEA2W	LTEA	100%-1%	Hi-Lume™ 1% 2-Wire LED Driver (120V forward phase only)	120VAC to 350mA, 19W, Class 2	4-4

For other power supply options consult factory.

## PHOTOMETRIC DATA

Note all Photometry is 3000K



Job Name/Date:

Fixture Type Designation: