

HYDROQUADRO MINI

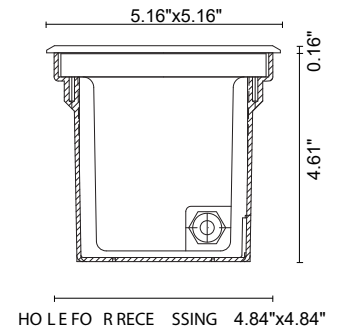
Hydroquadro Mini is a 3W inground recessed luminaire for outdoor installation adjustable +/- 15 degrees. It is available in 2 color temperatures, 3 optics options and a stainless steel finish.



TECHNICAL DATA

Wattage / Input	3W (350mA)
Power Supply	Remote, not included. See page 2.
Construction	Body: Die-Cast Copper-Free Aluminum Trim: Stainless Steel AISI 304 Lens: Tempered Safety Glass Cable Length: 3.28'
CCT	3000K, 4000K
Delivered Lumens	346 lm (3000K, 10°)
Efficacy	115.3 lm/W (3000K, 10°)
Optics	3 Standard, See Below
Finishes	Stainless Steel
Fixture Dimensions	5.16" x 5.16" x 4.77" h
Cut-out Dimension	4.84" x 4.84"
LED Source	3 x 1W High Power CREE "XP-G3" LED
Fixture Weight	2.7 lbs
IP Rating	IP67
IK Rating	IK10
Static Weight Resistance	Max 11,000 lbs

Fixture Dimensions



ORDERING INFORMATION

Example: 202001P-30K-10-SS. Power Supplies ordered separately.

202001P	-		-		-	SS
Model No.	CCT	Optics	Finish			
202001P	30K - 3000K 40K - 4000K	10 - 10° 30 - 30° 45 - 45°	SS - Stainless Steel			

Job Name/Date:

Fixture Type Designation:

SUGGESTED POWER SUPPLIES

350mA

Part Number	Description	Input/Output	# of Fixtures
PPLT00466-P	0-10V Dimming to 1.0%	120-277VAC to 350mA, 10W, Class 2, DAMP	1-2
PPLT00468	Phase Dim (120V only)	120VAC to 350mA, 14W, Class 2, DAMP	2-3
PPLT00263	Leading / Trailing Edge Dimming to 10% (120V only)	120-277VAC to 350mA, 32W, Class 2	3-3
PPLT00538-P	0-10V Dimming to 0.1% (4 channels)	120-277VAC to 350mA, 100W, Class 2	1-4 (1-16)

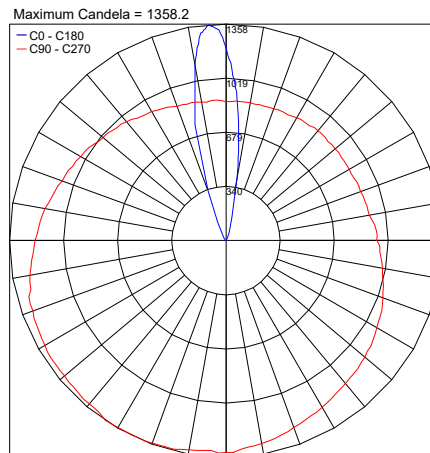
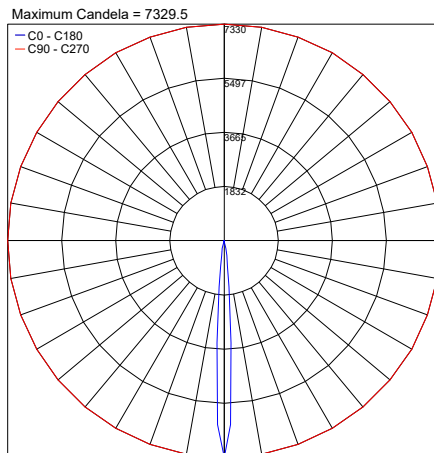
Suggested Lutron Compatible

Part Number	Option	Lutron SKU	Dim Range	Description	Input/Output	# of Fixtures
PPLT00252	LTEA2W	LTEA	100%-1%	Hi-Lume™ 1% 2-Wire LED Driver (120V forward phase only)	120VAC to 350mA, 7W, Class 2	1-1
PPLT00247	L3DAE / L3DA3W	L3DA	100%-1%	Hi-Lume™ 1% EcoSystem™ or 1% 3-Wire LED Driver	120-277VAC to 350mA, 7W, Class 2	1-1
PPLT00271	LTEA2W	LTEA	100%-1%	Hi-Lume™ 1% 2-Wire LED Driver (120V forward phase only)	120VAC to 350mA, 13W, Class 2	2-3
PPLT00516	L3DAE / L3DA3W	L3DA	100%-1%	Hi-Lume™ 1% EcoSystem™ or 1% 3-Wire LED Driver	120-277VAC to 350mA, 13W, Class 2	2-3
PPLT00179	L3DAE / L3DA3W	L3DA	100%-1%	Hi-Lume™ 1% EcoSystem™ or 1% 3-Wire LED Driver	120-277VAC to 350mA, 19W, Class 2	4-4
PPLT00220	LTEA2W	LTEA	100%-1%	Hi-Lume™ 1% 2-Wire LED Driver (120V forward phase only)	120VAC to 350mA, 19W, Class 2	4-4

For other power supply options consult factory.

PHOTOMETRIC DATA

Note all Photometry is 3000K



Job Name/Date:

Fixture Type Designation: