

# HYDROFLEX TOP

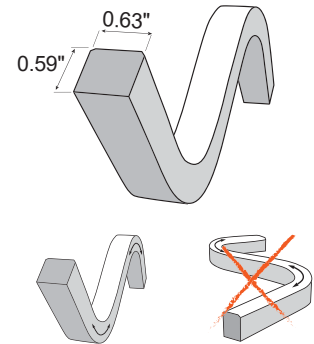
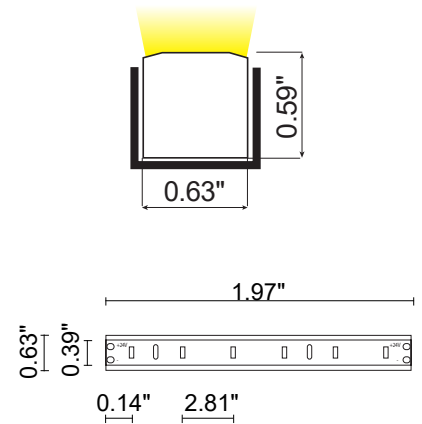
Hydroflex Top is a square flexible linear LED strip for straight or bent/curved installation. Rated IP68, it is suitable for indoor or outdoor use. Double power cable with male/female connectors included, suitable for in-line installation. NOT SUITABLE FOR SUBMERSION.



## TECHNICAL DATA

<b>Wattage / Input</b>	10W per 3.28' (24VDC) Available in 3.28' (10W), 13.12' (40W)
<b>Power Supply</b>	Remote, not included. See page 2.
<b>Construction</b>	Body: High Performance Polyurethane, UV and Saltwater Resistant Lens: Opal Diffused
<b>CCT</b>	3000K, RGB
<b>BUG Rating</b>	B0-U3-G1
<b>Delivered Lumens</b>	750 lm per 3.28'
<b>Efficacy</b>	75 lm/W per 3.28'
<b>Optics</b>	Diffuse
<b>Finishes</b>	Milky Opaque
<b>Fixture Dimensions</b>	0.63" w x 1.97" l
<b>LED Source</b>	Low Power Lumileds LED SMD3014 per 3.28'
<b>IP Rating</b>	IP68
<b>IK Rating</b>	-

Fixture Dimensions



**Not cuttable in the field or warranty is voided**

## ORDERING INFORMATION

Example: 401806P-30K-DIF-OP Accessories/Power Supplies ordered separately.

	-		-	DIF	-	OP
<b>Model No.</b>		<b>CCT</b>		<b>Optics</b>		<b>Finish</b>
401806P - 3.28'		30K - 3000K		DIF - Diffuse		OP - Opaque
401807P - 13.12'		RGB - RGB				(Milky)

Job Name/Date:

Fixture Type Designation:

## SUGGESTED POWER SUPPLIES

24VDC

3.28'

13.12"

Part Number	Description	Input/Output	# of Fixtures	
<a href="#">PPLT00284</a>	Non-Dim	120-277VAC to 24VDC, 100W, Class 2	1-8	1-2
<a href="#">PPLT00543</a>	0-10V Dimming to 10%	120-277VAC to 24VDC, 100W, Class 2	1-8	1-2

## RGB

Part Number	Description	Input/Output	# of Fixtures	
<a href="#">PPLT00288</a>	DMX/RDN/Dali/0-10V	120-277VAC to 24VDC, 100W, Class 2	1-8	1-2

For other power supply options consult factory.

## ACCESSORIES

### Installation



#### AC034P - Mounting Clip

Ideal for bending wall or ceiling Installations

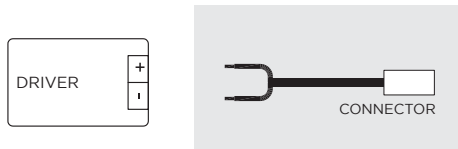
Made from stainless steel, installed with M3 screws (0.37" long M3 screw included). Clip to be installed every 15.75" for best performance.



#### AC035P - Linear Profile

Ideal for straight installations on wall or ceiling

39.4" in length. Made from clear anodized aluminum and can be secured with stainless steel clip ever 15.75" for best performance.



#### AC054P - Leader Cable

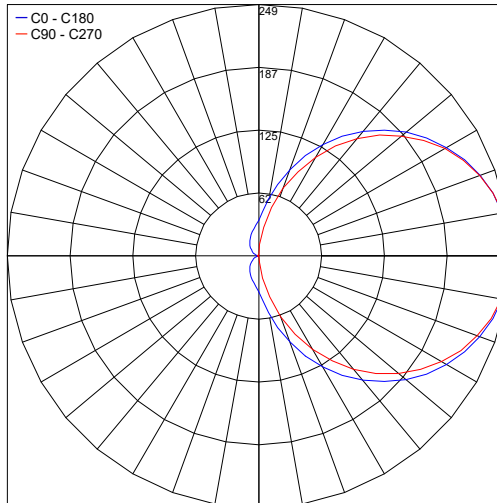
Initial cable to connect the driver to first luminaire

An in-line installation of multiple luminaires, all connected to one driver. Kit contains two leader cables, one with male connector and one with female connector, to allow start the installation from both sides.

## PHOTOMETRIC DATA

Note all Photometry is 3000K

Maximum Candela = 249.1



PHOTOMETRIC FILENAME : HYDROFLEX TOP 1000LED 401806PIES

Job Name/Date:

Fixture Type Designation: