

HYDROFLEX TOP

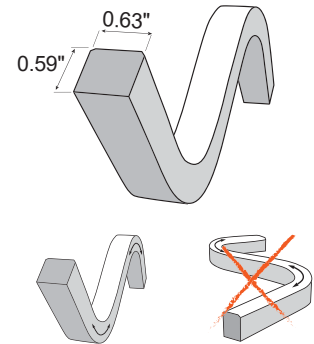
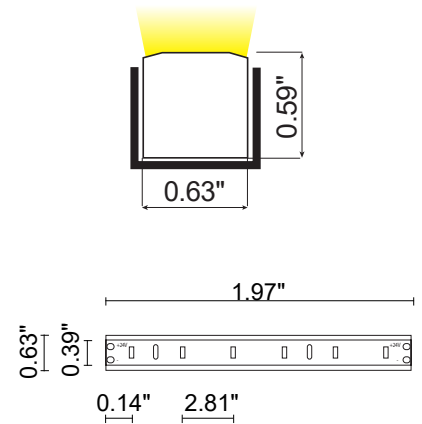
Hydroflex Top is a square flexible linear LED strip for straight or bent/curved installation. Rated IP68, it is suitable for indoor or outdoor use. Double power cable with male/female connectors included, suitable for in-line installation. NOT SUITABLE FOR SUBMERSION.



TECHNICAL DATA

Wattage / Input	10W per 3.28' (24VDC) Available in 3.28' (10W), 13.12' (40W)
Power Supply	Remote, not included. See page 2.
Construction	Body: High Performance Polyurethane, UV and Saltwater Resistant Lens: Opal Diffused
CCT	3000K, RGB
BUG Rating	B0-U3-G1
Delivered Lumens	750 lm per 3.28'
Efficacy	75 lm/W per 3.28'
Optics	Diffuse
Finishes	Milky Opaque
Fixture Dimensions	0.63" w x 1.97" l
LED Source	Low Power Lumileds LED SMD3014 per 3.28'
IP Rating	IP68
IK Rating	-

Fixture Dimensions



Not cuttable in the field or warranty is voided

ORDERING INFORMATION

Example: 401806P-30K-DIF-OP Accessories/Power Supplies ordered separately.

	-		-	DIF	-	OP
Model No.		CCT		Optics		Finish
401806P - 3.28'		30K - 3000K		DIF - Diffuse		OP - Opaque (Milky)
401807P - 13.12'		RGB - RGB				

Job Name/Date:

Fixture Type Designation:

SUGGESTED POWER SUPPLIES

24VDC

Part Number	Description	Input/Output	# of Fixtures	
			3.28'	13.12'
PPLT00709	ELV/TRIAC & 0-10V Dimming to 5% and OFF	120-277VAC to 24VDC, 96W, Class 2, DAMP	1-7	1-1
PPLT00284	Non-Dim	120-277VAC to 24VDC, 100W, Class 2	1-8	1-2
PPLT00543	0-10V Dimming to 10%	120-277VAC to 24VDC, 100W, Class 2	1-8	1-2

RGB

Part Number	Description	Input/Output	# of Fixtures	
PPLT00288	DMX/RDN/Dali/0-10V	120-277VAC to 24VDC, 100W, Class 2	1-8	1-2

For other power supply options consult factory.

ACCESSORIES

Installation



AC034P - Mounting Clip

Ideal for bending wall or ceiling installations

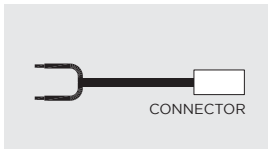
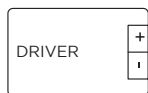
Made from stainless steel, installed with M3 screws (0.37" long M3 screw included). Clip to be installed every 15.75" for best performance.



AC035P - Linear Profile

Ideal for straight installations on wall or ceiling

39.4" in length. Made from clear anodized aluminum and can be secured with stainless steel clip every 15.75" for best performance.



AC054P - Leader Cable

Initial cable to connect the driver to first luminaire

An in-line installation of multiple luminaires, all connected to one driver. Kit contains two leader cables, one with male connector and one with female connector, to allow start the installation from both sides.

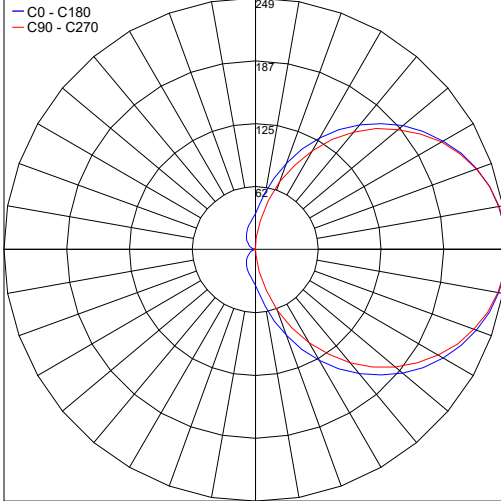
Job Name/Date:

Fixture Type Designation:

PHOTOMETRIC DATA

Note all Photometry is 3000K

Maximum Candela = 249.1



PHOTOMETRIC FILENAME : HYDROFLEX TOP 1000LED 401806P.IES

Job Name/Date:

Fixture Type Designation: