

# INDOX 50 IP20 - INDOOR

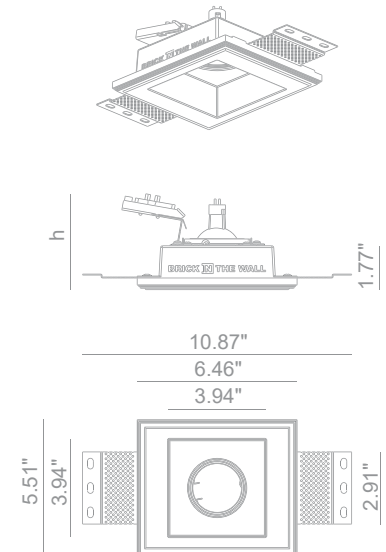
Indox is a full range of trimless downlights with cutting edge design made of CALCYT® plaster. Indox is ideal for a wide range of lighting applications including residential buildings, shops, offices, meeting rooms and hotels.



## TECHNICAL DATA

<b>Wattage / Input</b>	5.6W, 7.4W (350mA), 6W, 12.8W (WarmDim)
<b>Power Supply</b>	Remote, not included. See page 2.
<b>Construction</b>	Body: CALCYT® Plaster Adjustable: 0° - 30°
<b>CCT</b>	2700K, 3000K, 4000K, Warm to Dim
<b>CRI</b>	700 lm: CRI>80 or >97 WarmDim: 500 lm, CRI>80 900 lm, CRI>90
<b>Optics</b>	36° (12°, 24° on request)
<b>Finishes</b>	Paintable Plaster
<b>Cut-Out Dimensions</b>	5.67" x 6.61"
<b>Fixture Dimensions</b>	5.51" x 6.46"
<b>LED Source</b>	Xicato LED
<b>Color Consistency</b>	2-Step MacAdam Dim to Warm Version: 4-Step MacAdam
<b>IP Rating</b>	IP20

Cut-Out Dimensions: 5.67" x 6.61"  
Fixture Dimensions



## ORDERING INFORMATION

*Example: 230 29 941. Accessories / Power Supplies ordered separately.*

--

Model No.	Description
230 29 640 - WarmDim	500 lm CRI>80 or 900 lm CRI>90
230 29 040 - 2700K	700 lm, CRI>80
230 29 140 - 3000K	700 lm, CRI>80
230 29 240 - 4000K	700 lm, CRI>80
230 29 940 - 2700K	700 lm, CRI>97
230 29 840 - 3000K	700 lm, CRI>97
230 29 740 - 4000K	700 lm, CRI>97

Job Name/Date:

Fixture Type Designation:

## SUGGESTED POWER SUPPLIES

350mA - for 7W version

Part Number	Description	Input/Output	# of Fixtures
<a href="#">PPLT00496</a>	Phase Dim (120V only)	120VAC to 350mA, 12W, Class 2	1-1
<a href="#">PPLT00308-P</a>	0-10V Dimming to 0.1%	120-277VAC to 350mA, 30W, Class 2	1-2
<a href="#">PPLT00309-P</a>	0-10V Dimming to 0.1%	120-277VAC to 350mA, 50W, Class 2	1-2
<a href="#">PPLT00538-P</a>	0-10V Dimming to 0.1%	120-277VAC to 350mA, 100W, Class 2	1-8

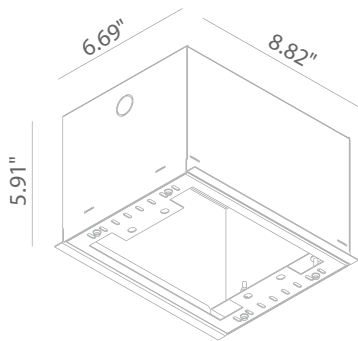
## Suggested Lutron Compatible

Part Number	Option	Lutron SKU	Dim Range	Description	Input/Output	# of Fixtures
<a href="#">PPLT00247</a>	L3DAE / L3DA3W	L3DA	100%-1%	Hi-Lume™ 1% EcoSystem™ or 1% 3-Wire LED Driver	120-277VAC to 350mA, 7W, Class 2	1-1
<a href="#">PPLT00516</a>	L3DAE / L3DA3W	L3DA	100%-1%	Hi-Lume™ 1% EcoSystem™ or 1% 3-Wire LED Driver	120-277VAC to 350mA, 13W, Class 2	1-1
<a href="#">PPLT00179</a>	L3DAE / L3DA3W	L3DA	100%-1%	Hi-Lume™ 1% EcoSystem™ LED Driver	120-277VAC to 350mA, 19W, Class 2	2-2

For other power supply options consult factory.

## REQUIRED ACCESSORIES

### Installation



**STANDARD** (included)  
Installation Kit for ceiling 0.35" - 0.47" - 0.59"

**230 99 025** (sold separately)  
Required Outer Casing for ceiling - 0.98"

**230 99 030** (sold separately)  
Required Outer Casing for ceiling - 1.18"

**834 00 000** (sold separately)  
Required concrete box - galvanized steel

### Beam Angles

**STANDARD** (included) beam angle 36°  
**205 50 012** - optional beam angle 12°  
**205 50 024** - optional beam angle 24°

### Emergency Units

**696 01 001** - 1h basic + control LED  
**693 01 003** - 3h basic + control LED

Job Name/Date:

Fixture Type Designation:

## ACCESSORIES

### Installation



**STANDARD** (included)  
LAMPHOLDER RING WHITE



**201 10 002**  
LAMPHOLDER RING BLACK



**201 11 001**  
EXTENSION S  
WHITE  
Ø2.20" x 1.02"  
Adjustable 0° - 10°



**201 12 001**  
EXTENSION M  
WHITE  
Ø2.20" x 1.42"  
Adjustable 0° - 10°



**201 13 001**  
EXTENSION L  
WHITE  
Ø 2.20" x 2.68"  
Adjustable 0° - 10°



**201 11 002**  
EXTENSION S  
BLACK  
Ø 2.20" x 1.02"  
Adjustable 0° - 10°



**201 12 002**  
EXTENSION M  
BLACK  
Ø 2.20" x 1.42"  
Adjustable 0° - 10°



**201 13 002**  
EXTENSION L  
BLACK  
Ø 2.20" x 2.68"  
Adjustable 0° - 10°



**201 51 001**  
FROSTED PLEXI  
WHITE  
*Only for LED  
lampsources*



**201 52 001**  
HONEYCOMB  
WHITE  
*Only for LED  
lampsources*



**201 53 001**  
SPHERICAL GLASS  
LENS IN WHITE  
RING



**201 51 002**  
FROSTED PLEXI  
BLACK  
*Only for LED  
lampsources*



**201 52 002**  
HONEYCOMB  
BLACK  
*Only for LED  
lampsources*



**201 53 002**  
SPHERICAL GLASS  
LENS IN BLACK  
RING

Job Name/Date:

Fixture Type Designation: