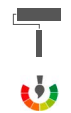


INTONO 1.1

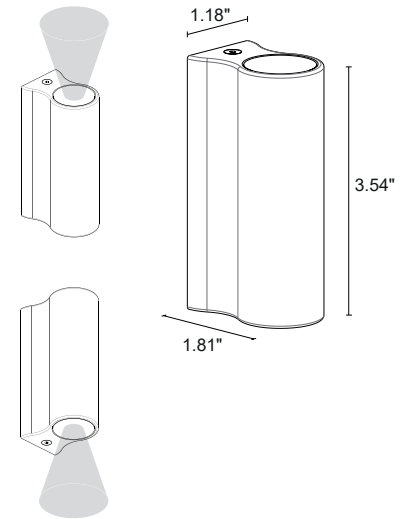
Intono is a new family of surface-mounted fixtures with a simple, elegant design which features three innovative characteristics: the **ability to blend in** with the wall it is mounted on, **to play music** and to **communicate with smart-speakers (3.9 and 4.9)** such as Google Home or Amazon Echo, over Wi-Fi using the ZigBee protocol.



TECHNICAL DATA

Wattage / Input	3W (24VDC)
Power Supply	Remote, not included. See page 2.
Construction	Body: Die-Cast Aluminum Fixing Bracket: Stainless Steel AISI 316L Lens: Black-Serigraphed, Tempered, Transparent Extra-Clear Glass
CCT	2700K, 3000K, 4000K
CRI	80, >90
Delivered Lumens	146 lm (3000K, 22°, CRI 80) 128 lm (3000K, 22°, CRI 90)
Efficacy	48.7 lm/W (3000K, 22°, CRI 80) 42.7 lm/W (3000K, 22°, CRI 90)
Optics	13°, 22°, 33°
Finishes	5 Standard, see below
Fixture Dimensions	1.18" w x 1.81" l x 3.54" h
Fixture Weight	0.37 lbs
LED Source	1 Power LED
Lumen Maintenance	L90, B10 >50,000hrs (Ta 25°C)
Color Consistency	1/4 ANSI BIN
Operating Temp.	-4°F to +113°F
IP Rating	IP65
IK Rating	IK04

Fixture Dimensions



ORDERING INFORMATION

Example: NT11001001F0M7. Power Supplies ordered separately.

NT1100					
Model No.	CRI	Honeycomb Louvre	CCT	Optics	Finish
NT1100	0 - CRI 80 1 - CRI>90	000 - None 001 - Honeycomb Louvre	F - 2700K 5 - 3000K 9 - 4000K	0S - 13° 0M - 22° 0L - 33°	E - White F - Gray H - Anthracite T - Cor-ten 7 - Primer

Job Name/Date:

Fixture Type Designation:

SUGGESTED POWER SUPPLIES

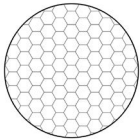
24VDC

Part Number	Description	Input/Output	# of Fixtures
PPLT00128	Non-Dim	120VAC to 24VDC, 6W, Class 2, IP65	1-1
PPLT00275	Non-Dim	120-277VAC to 24VDC, 12W, Class 2, IP66	1-3
PPLT00632	0-10V Dimming (Dim to Off)	120-277VAC to 24VDC, 12W, Class 2	1-3
PPLT00481	Non-Dim	120-277VAC to 24VDC, 24W, Class 2	1-6
PPLT00157	Non-Dim	120VAC to 24VDC, 60W, Class 2	1-16
PPLT00599	ELV / TRIAC & 0-10V Dimming (100 to 0%)	120-277VAC to 24VDC, 96W, Class 2	1-25
PPLT00284	Non-Dim	120-277VAC to 24VDC, 100W, Class 2	1-26
PPLT00543	0-10V Dimming to 15% (-40°C / -40°F cold weather start)	120-277VAC to 24VDC, 100W, Class 2	4-26

For other power supply options consult factory.

ACCESSORIES

Anti-glare



Honeycomb Louvre*

*Optical accessory added
in ordering matrix

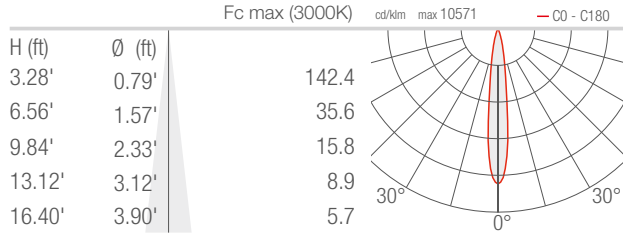
Job Name/Date:

Fixture Type Designation:

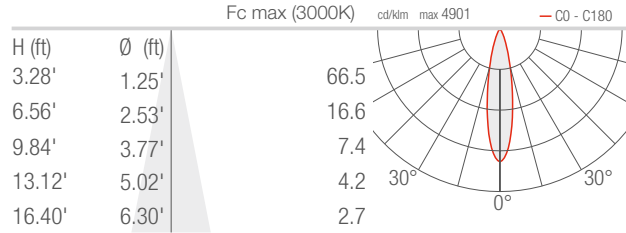
PHOTOMETRIC DATA

Note all Photometry is 3000K

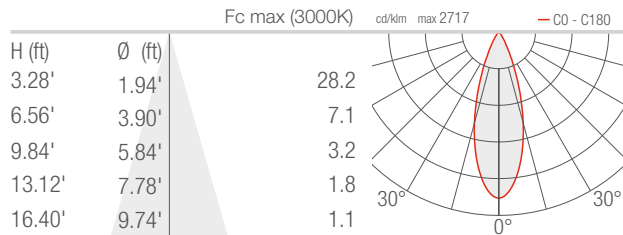
S - 13° CRI 80



M - 22° CRI 80



L - 33° CRI 80



Job Name/Date:

Fixture Type Designation: