

INTONO C IN 2.3

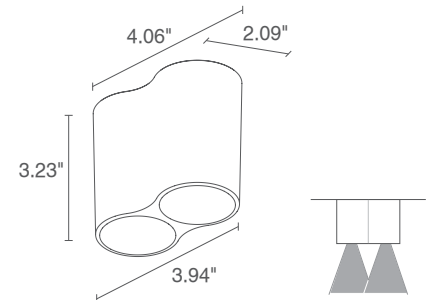
Intono C IN is a family of indoor, ceiling-mounted fixtures with a simple, elegant design perfect for residential or hospitality applications. It features three innovative characteristics: the **ability to blend in** with the ceiling (primer version), **to play music** and to **smart-speakers capability** (version 3.8).



TECHNICAL DATA

Wattage / Input	12W (120VAC)
Power Supply	Integral
Construction	Body: Die-Cast Aluminum Lens: Black-Serigraphed, Tempered, Transparent Extra-Clear Glass
CCT	2700K, 3000K, 4000K
CRI	80, >90
Delivered Lumens	652 lm (3000K, 34°, CRI 90) 704 lm (3000K, 34°, CRI 80)
Efficacy	54.3 lm/W (3000K, 34°, CRI 80) 58.7 lm/W (3000K, 34°, CRI 90)
Optics	11°, 34°, 68°, Diffuse
Finishes	4 Standard, see below
Fixture Dimensions	2.09" w x 3.94" l x 3.23" h 4.06" w at base
Fixture Weight	0.77 lbs
LED Source	2 Power LEDs
Lumen Maintenance	L90, B10 >50,000hrs (Ta 25°C)
Color Consistency	3-Step MacAdam
Operating Temp.	-4°F to +113°F
IP Rating	IP40
IK Rating	IK06

Fixture Dimensions



ORDERING INFORMATION

Example: NC2310 00019MMH. Power Supplies ordered separately.

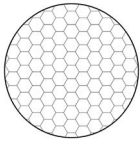
NC2310					
Model No.	CRI	Honeycomb Louvre	CCT	Optics	Finish
NC2310	0 - CRI 80 1 - CRI>90	000 - None 001 - Honeycomb Louvre <i>Honeycomb Louvre NOT available with diffuse (DD)</i>	F - 2700K 5 - 3000K 9 - 4000K	TT - 11° MM - 34° KK - 68° DD - Diffuse	B - White N - Black Z - Antique Bronze 7 - Primer

Job Name/Date:

Fixture Type Designation:

ACCESSORIES

Anti-glare



Honeycomb Louvre*

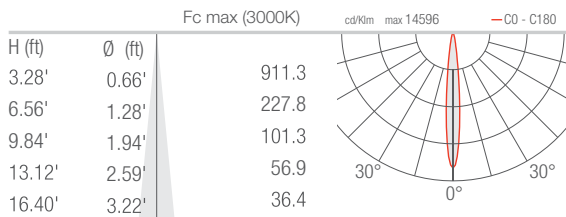
*Optical accessory added in ordering matrix

The honeycomb louvre can be provided on all optics, **EXCEPT** for diffuse (DD).

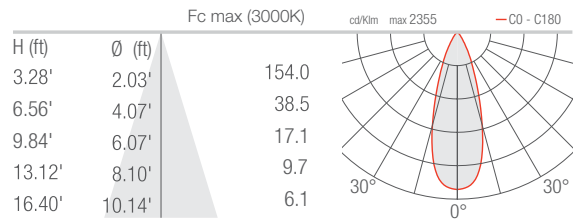
PHOTOMETRIC DATA

Note all Photometry is 3000K

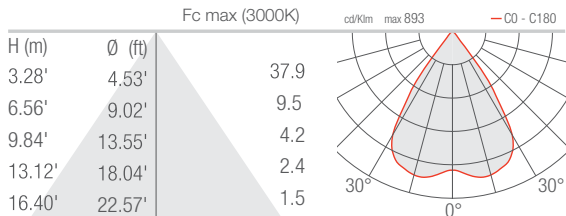
TT - 11° CRI 80



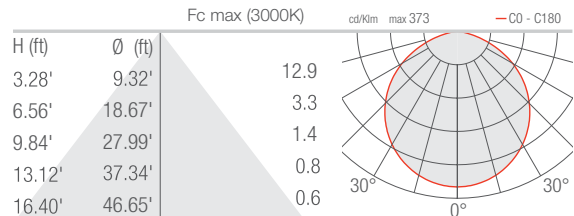
MM - 34° CRI 80



KK - 68° CRI 80



DD - Diffuse CRI 80



Job Name/Date:

Fixture Type Designation: