

INTONO C IN 3.3

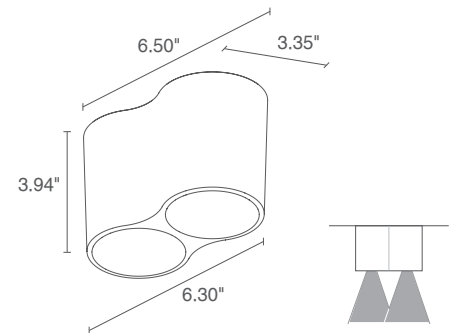
Intono C IN is a family of indoor, ceiling-mounted fixtures with a simple, elegant design perfect for residential or hospitality applications. It features three innovative characteristics: the **ability to blend in** with the ceiling (primer version), **to play music** and to **smart-speakers capability** (version 3.8).



TECHNICAL DATA

Wattage / Input	20W (500mA)
Power Supply	Integral
Construction	Body: Die-Cast Aluminum Lens: Black-Serigraphed, Tempered, Transparent Extra-Clear Glass
CCT	2700K, 3000K, 4000K
CRI	80, >90
Delivered Lumens	1392 lm (3000K, 15°, CRI 90) 1674 lm (3000K, 15°, CRI 80)
Efficacy	69.6 lm/W (3000K, 15°, CRI 80) 83.7 lm/W (3000K, 15°, CRI 90)
Optics	15°, 20°, 43°, Asymmetrical
Finishes	4 Standard, see below
Fixture Dimensions	3.35" w x 6.30" l x 3.94" h 6.50" w at base
Fixture Weight	2.54 lbs
LED Source	2 High Power Density COB LEDs
Lumen Maintenance	L95, B10 >50,000hrs (Ta 25°C)
Color Consistency	2-Step MacAdam
Operating Temp.	-4°F to +113°F
IP Rating	IP40
IK Rating	IK06

Fixture Dimensions



ORDERING INFORMATION

Example: NC33101009MMN.

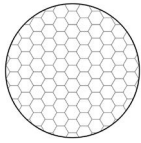
NC3310						
Model No.	CRI	Cont. System	Honeycomb Louvre	CCT	Optics	Finish
NC3310	0 - CRI 80 1 - CRI>90	0 - on/off R - 0-10V	00 - None 01 - Honeycomb Louvre <i>Honeycomb Louvre NOT available with asymmetrical (AA)</i>	F - 2700K 5 - 3000K 9 - 4000K	SS - 15° MM - 20° LL - 43° AA - Assym.	B - White N - Black Z - Antique Bronze 7 - Primer

Job Name/Date:

Fixture Type Designation:

ACCESSORIES

Anti-glare



Honeycomb Louvre*

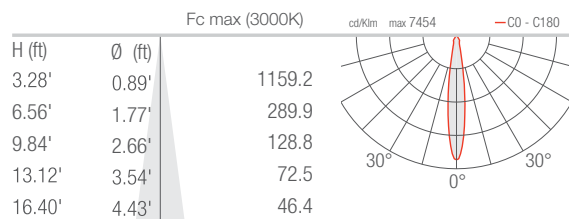
*Optical accessory added in ordering matrix

The honeycomb louvre can be provided on all optics, EXCEPT for asymmetrical (AA).

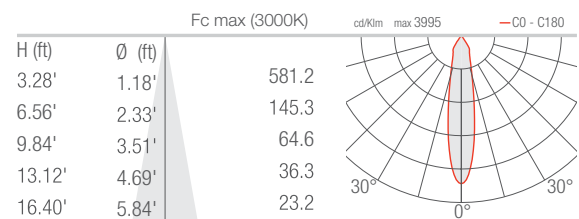
PHOTOMETRIC DATA

Note all Photometry is 3000K

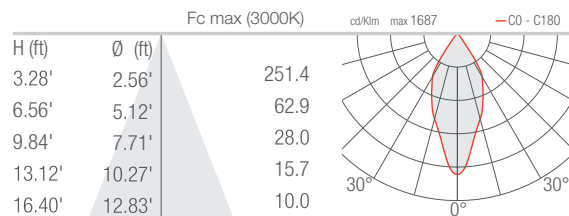
SS - 15° CRI 80



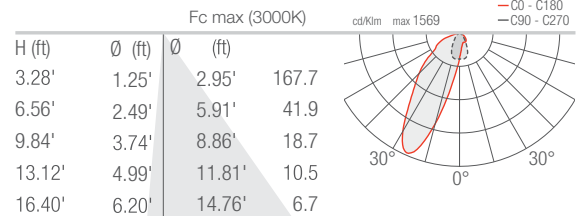
MM - 20° CRI 80



LL - 43° CRI 80



AA - Asymmetrical CRI 80



Job Name/Date:

Fixture Type Designation: