

# INTONO C OUT 3.4

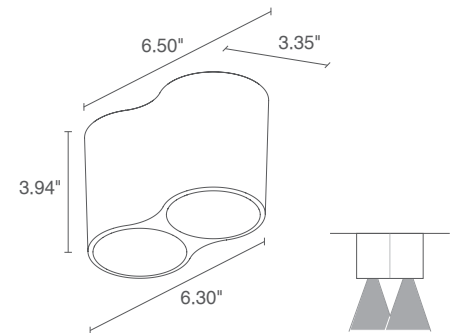
Intono C OUT is a family of outdoor, ceiling-mounted fixtures with a simple, elegant design perfect for residential or hospitality applications. It features three innovative characteristics: the **ability to blend in** with the ceiling (primer version), **to play music** and to **smart-speakers capability** (version 3.9).



## TECHNICAL DATA

<b>Wattage / Input</b>	20W (500mA)
<b>Power Supply</b>	Integral
<b>Construction</b>	Body: Die-Cast Aluminum Lens: Black-Serigraphed, Tempered, Transparent Extra-Clear Glass
<b>CCT</b>	2700K, 3000K, 4000K
<b>CRI</b>	80, >90
<b>BUG Rating</b>	B1-U1-G0 (3000K, Asymmetric) B2-U1-G0 (3000K, 15°, 20°, 43°)
<b>Delivered Lumens</b>	1392 lm (3000K, 15°, CRI 90) 1674 lm (3000K, 15°, CRI 80)
<b>Efficacy</b>	69.6 lm/W (3000K, 15°, CRI 80) 83.7 lm/W (3000K, 15°, CRI 90)
<b>Optics</b>	15°, 20°, 43°, Asymmetrical
<b>Finishes</b>	5 Standard, see below
<b>Fixture Dimensions</b>	3.35" w x 6.30" l x 3.94" h 6.50" w at base
<b>Fixture Weight</b>	2.98 lbs
<b>LED Source</b>	2 High Power Density COB LEDs
<b>Lumen Maintenance</b>	L95, B10 >50,000hrs (Ta 25°C)
<b>Color Consistency</b>	2-Step MacAdam
<b>Operating Temp.</b>	-4°F to +113°F
<b>IP Rating</b>	IP65
<b>IK Rating</b>	IK06

Fixture Dimensions



## ORDERING INFORMATION

Example: NC341010009MMH.

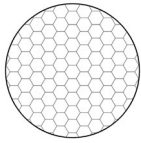
NC3410						
Model No.	CRI	Cont. System	Honeycomb Louvre	CCT	Optics	Finish
NC3410	0 - CRI 80 1 - CRI>90	0 - on/off R - 0-10V	00 - None 01 - Honeycomb Louvre <i>Honeycomb Louvre NOT available with asymmetrical (AA)</i>	F - 2700K 5 - 3000K 9 - 4000K	SS - 15° MM - 20° LL - 43° AA - Assym.	E - White F - Gray H - Anthracite T - Cor-ten 7 - Primer

Job Name/Date:

Fixture Type Designation:

## ACCESSORIES

### Anti-glare



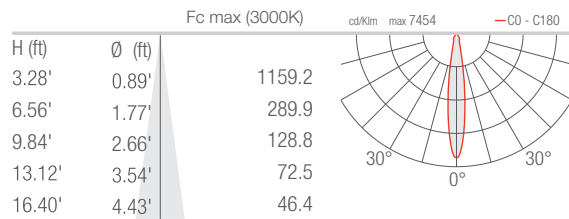
#### Honeycomb Louvre\*

\*Optical accessory added in ordering matrix  
 The honeycomb louvre can be provided on all optics,  
**EXCEPT** for asymmetrical (AA).

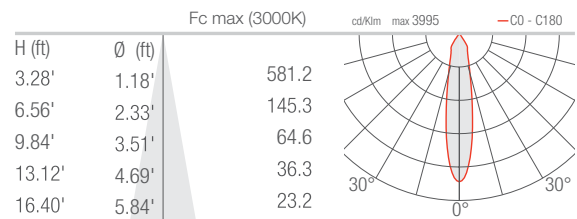
## PHOTOMETRIC DATA

Note all Photometry is 3000K

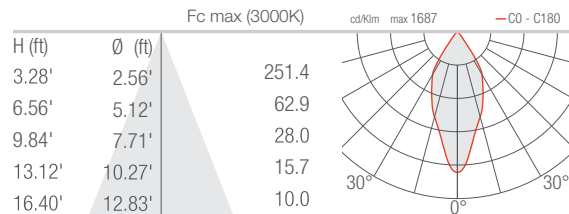
### SS - 15° CRI 80



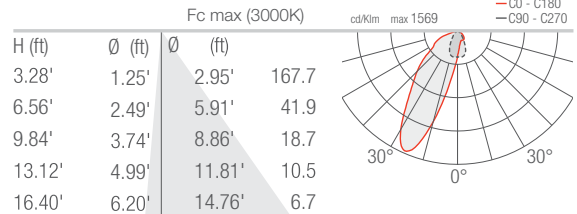
### MM - 20° CRI 80



### LL - 43° CRI 80



### AA - Asymmetrical CRI 80



Job Name/Date:

Fixture Type Designation: