

INTONO C OUT 3.9

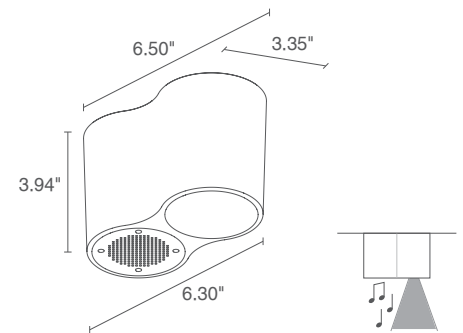
Intono C OUT is a family of outdoor, ceiling-mounted fixtures with a simple, elegant design perfect for residential or hospitality applications. It features three innovative characteristics: the **ability to blend in** with the ceiling (primer version), **to play music** and to **smart-speakers capability** (version 3.9).



TECHNICAL DATA

Wattage / Input	9W (24VDC)
Power Supply	Remote, not included. See page 2.
Construction	Body: Die-Cast Aluminum Lens: Black-Serigraphed, Tempered, Transparent Extra-Clear Glass
CCT	2700K, 3000K, 4000K
CRI	80, >90
Delivered Lumens	783 lm (3000K, 20°, CRI 80)
Efficacy	87 lm/W (3000K, 20°, CRI 80)
Optics	20°
Finishes	5 Standard, see below
Fixture Dimensions	3.35" w x 6.30" l x 3.94" h 6.50" w at base
Fixture Weight	2.98 lbs
LED Source	1 High Power Density COB LEDs
Lumen Maintenance	L95, B10 >50,000hrs (Ta 25°C)
Color Consistency	2-Step MacAdam
Operating Temp.	-4°F to +113°F
IP Rating	IP65
IK Rating	IK06

Fixture Dimensions



ORDERING INFORMATION

Example: NC390010009M9H. Power Supplies ordered separately.

NC3900				M9	
Model No.	CRI	Honeycomb Louvre	CCT	Optics	Finish
NC3900	0 - CRI 80 1 - CRI>90	000 - None 001 - Honeycomb Louvre	F - 2700K 5 - 3000K 9 - 4000K	M9 - 20°	E - White F - Gray H - Anthracite T - Cor-ten 7 - Primer

Job Name/Date:

Fixture Type Designation:

SUGGESTED POWER SUPPLIES

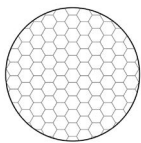
24VDC

Part Number	Description	Input/Output	# of Fixtures
PPLT00275	Non-Dim	120-277VAC to 24VDC, 12W, Class 2, IP66	1-1
PPLT00632	0-10V Dimming (Dim to Off)	120-277VAC to 24VDC, 12W, Class 2	1-1
PPLT00481	Non-Dim	120-277VAC to 24VDC, 24W, Class 2	1-2
PPLT00599	ELV / TRIAC & 0-10V Dimming (100 to 0%)	120-277VAC to 24VDC, 96W, Class 2	1-8
PPLT00284	Non-Dim	120-277VAC to 24VDC, 100W, Class 2	1-8
PPLT00543	0-10V Dimming to 15% (-40°C / -40°F cold weather start)	120-277VAC to 24VDC, 100W, Class 2	2-8

For other power supply options consult factory.

ACCESSORIES

Anti-glare



Honeycomb Louvre*

*Optical accessory added in ordering matrix



WUNT39A00

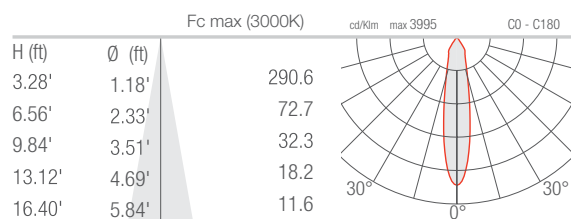
Bluetooth 3.0 audio control kit with power supply unit and amplifier (for Alexa or Google voice-control systems)

Mounted with TCI driver, item code #122201

PHOTOMETRIC DATA

Note all Photometry is 3000K

M - 20° CRI 80



Job Name/Date:

Fixture Type Designation: