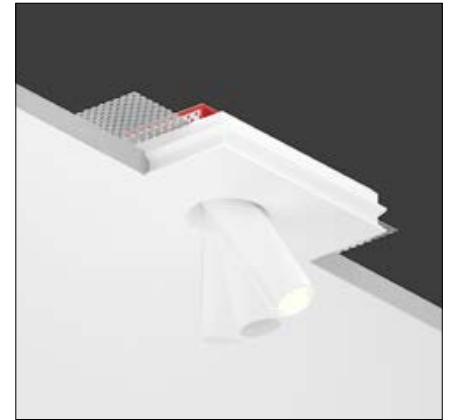


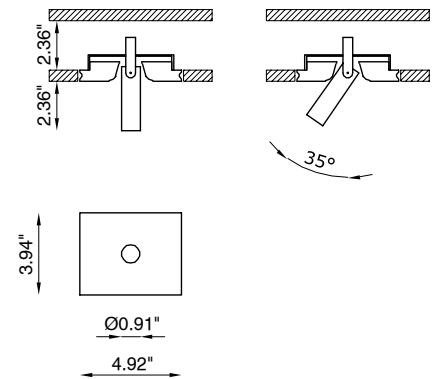
Inzeta is an indoor recessed downlight with a metal projector half-recessed inside a body of AirCoral®, with no visible mechanical joints. Tilttable by 35° and adjustable on the vertical axis at 360°, Inzeta is characterized by the quality of its light and a miniturized projector.



TECHNICAL DATA

Wattage / Input	6W (500mA)
Power Supply	Remote, not included. See page 2.
Construction	Body: AirCoral® Projector: Aluminum
CCT	3000K (2700K, 4000K on request, consult factory)
CRI	>90
LED Lumens	780 lm (3000K)
Efficacy	130 lm/W (3000K)
Optics	22°, 50° on request
Finishes	Black, White
Cut-Out Dimensions	5.31" x 4.33"
Fixture Dimensions	4.92" l x 3.94" w x 2.36" h
Aperture	Ø0.91"
Fixture Weight	1.76 lbs
LED Source	1 COB Professional LED
IP Rating	IP40

Ceiling Cut-Out: 5.31" x 4.33"
 Fixture Dimensions: 4.92" l x 3.94" w x 2.36" h



The body is made of Aircoral® a unique patented composite material that actually purifies the air. It can be calculated how many cubic feet each fixture will purify. See website for Aircoral® calculator.

- Additionally, Aircoral® is:
- Antibacterial.
 - Antifungal.
 - Scratch-resistant.
 - Dust-resistant.
 - Suitable for painting.
 - LEED recognized material.

ORDERING INFORMATION

Example: BU1846.AC.US 4R22 E30WD. Power Supplies ordered separately.

BU184		.AC			.US
Model No.	Finish		Optics	CCT	
BU184	6 - Black 8 - White		4 R 22 - 22° 4 R 50 - 50° (on request)	M 30 WD - 3000K (standard) M 27 WD - 2700K (on request) M 40 WD - 4000K (on request)	

Job Name/Date:

Fixture Type Designation:

SUGGESTED POWER SUPPLIES

500mA

Part Number	Description	Input/Output	Fixtures
PPLT00466-P	0-10V Dimming to 1.0%	120-277VAC to 500mA, 10W, Class 2	1-1
PPLT00497	Phase Dim (120V Only)	120VAC to 500mA, 12W, Class 2	1-1
PPLT00465-P	0-10V Dimming to 1.0%	120-277VAC to 500mA 20W, Class 2	1-3
PPLT00308-P	0-10V Dimming to 0.1%	120-277VAC to 500mA, 30W, Class 2	1-4
PPLT00480-P	0-10V Dimming to 1.0%	120-277VAC to 500mA, 30W, Class 2	1-4

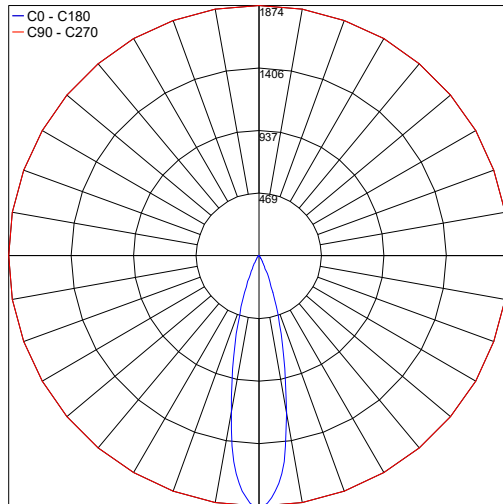
Suggested Lutron Compatible Drivers

Part Number	Option	Lutron SKU	Dim Range	Description	Input/Output	Fixtures
PPLT00259	L3DAE / L3DA3W	L3DA	100%-1%	Hi-Lume™ 1% EcoSystem™ or 1% 3-Wire LED Driver	120-277VAC, 10W	1-1
PPLT00195	L3DAE / L3DA3W	L3DA	100%-1%	Hi-Lume™ 1% EcoSystem™ or 1% 3-Wire LED Driver	120-277VAC, 19W	2-3
PPLT00180	L3DAE / L3DA3W	L3DA	100%-1%	Hi-Lume™ 1% EcoSystem™ / 1% 3-Wire LED Driver	120-277VAC , 27W	3-4

For other power supply options consult factory.

PHOTOMETRIC DATA

Maximum Candela = 1874



Job Name/Date:

Fixture Type Designation: